

Solomon

Design: Marco Piva



Description

The Solomon series includes not only two- and three-seat sofas but is also completed by a chaise longue. The soft and enveloping shapes recall one of the most important architectures of the 20th century: the Solomon R. Guggenheim Museum building, designed by Frank Lloyd Wright.

The elegant seats in large sizes provide comfort and softness thanks to the delicate leather or fabric upholstery.

Finishes & Materials

Cover: Fabric or leather.

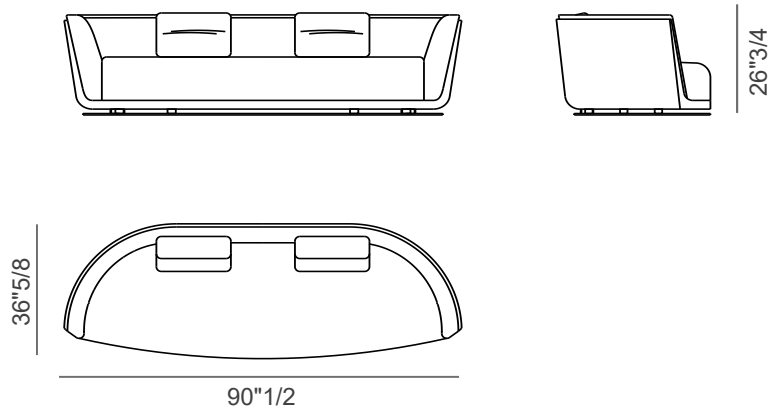
Base: Metal.

Dimensions

Size A: 90"1/2W x 36"5/8D x 26"3/4H

Size B: 110"1/4W x 36"5/8D x 26"3/4H

A



B

