

Slide

Design: Tulczinsky



Description

Coffee table composed of two wooden elements on a plinth base, one fixed and the other sliding. Round and rectangular tops available in smoked mirror, Marble glass and Wood glass. Made in Italy.

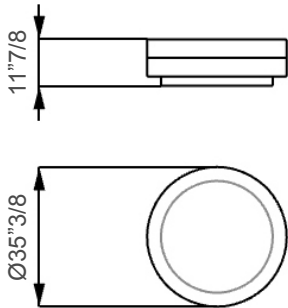


Slide

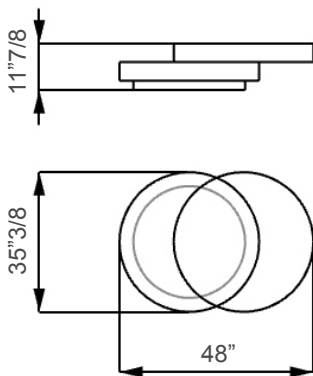
Dimensions

- A:** $\text{Ø}35\frac{3}{8}$ x $11\frac{7}{8}$ H - closed | 48"W x $35\frac{3}{8}$ D x $11\frac{7}{8}$ H - open
B: $\text{Ø}47\frac{1}{4}$ x $11\frac{7}{8}$ H - closed | $65\frac{3}{8}$ W x $47\frac{1}{4}$ D x $11\frac{7}{8}$ H - open
C: $47\frac{1}{4}$ W x $31\frac{1}{2}$ D x $11\frac{7}{8}$ H - closed | 59"W x $43\frac{1}{4}$ D x $11\frac{7}{8}$ H - open

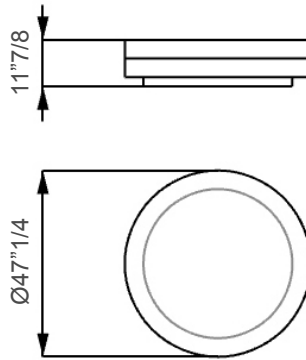
A Closed



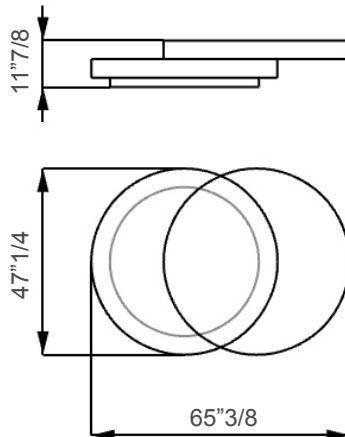
Open



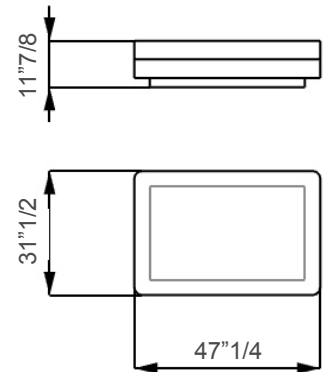
B Closed



Open



C Closed



Open

