

Air

Design: Daniele Lago



Description

Modern cupboard that alternates closed volumes with open shelves.

The Air system has expanded to include a modern cupboard that plays on the contrast between solids and voids, inverting the order of factors: the piece seems to float in air, supported by transparent tempered glass sheets to create a surprising effect of suspension.

The innovative XGlass technology combines the elegance of glass with the magic of elements such as marble, metal, wood and fabrics, affording mesmerizing textured effects.

Optional LED light on the back is available.

Made in Italy.

Finishes & Materials

Fronts: Lacquered, Polished and Matt Glass or XGlass.

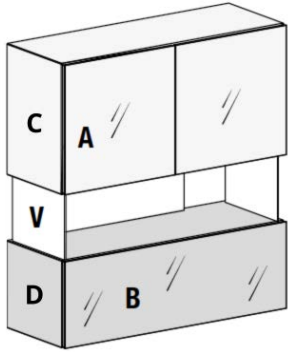
Structure: Lacquered.

Supports: Tempered Glass.

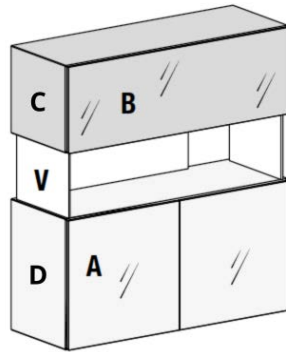
Air

Dimensions

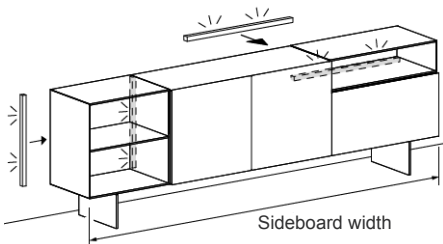
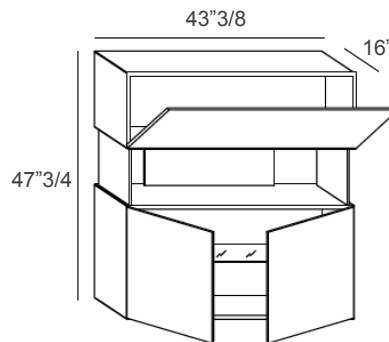
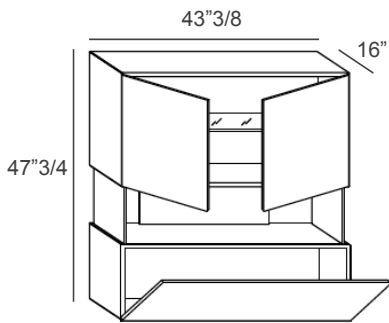
43"3/8W x 16"D x 47"3/4H



Version 1
A-B) Lacquered or Polished/Matt Glass.
C-D) Lacquered.
V) Tempered Glass.



Version 2
A-B) Lacquered or Polished/Matt Glass.
C-D) Lacquered.
V) Tempered Glass.



Optional back LED lighting
 Horizontal or vertical strip.
 3000°K - Clip fastening.
 Control with wall switch.
 With or without power unit:
 80 W - 110V - At least one light required
 -Not set up for cables to pass through.
 With or without dimmer remote.