

Air

Design: Daniele Lago



Description

The new Air desk has an elegant and practical design, perfect for creating a home office to study or work in, helping boost concentration in a peaceful and tranquil space. The desk base is made from tempered glass, making it highly resistant and giving this structural feature an attractive look.

The three-dimensional grain of this innovative lightened, solid oak, processed using artisan methods, offers a tactile and emotional experience. It is heat-treated to make it extremely strong and impermeable, so that it preserves its beauty over time. A handy integrated drawer is concealed behind the Wildwood finish, this feature preserves the aesthetics of the piece, while keeping it practical as a work or study space.

The option to add an XGlass top to the desk gives it a refined look, as well as making it resistant to wear and easy to clean, thanks to the physical properties of glass.

The piece creates a magical floating effect, lighting the feel of the whole space. This captivating look is achieved through the contrast between the top and the transparent tempered-glass base.

Made in Italy.

Finishes & Materials

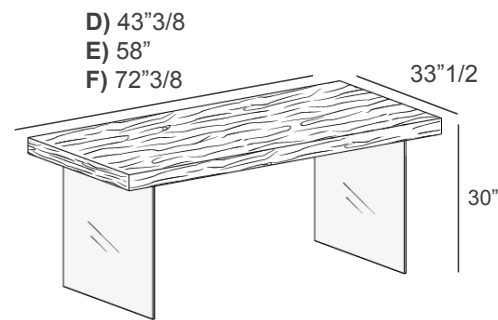
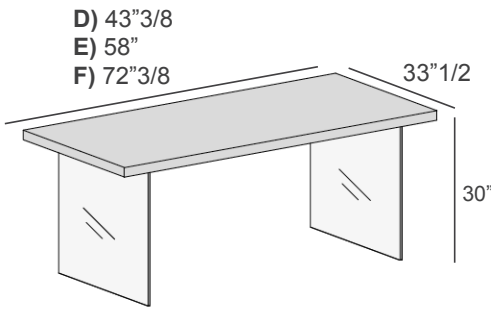
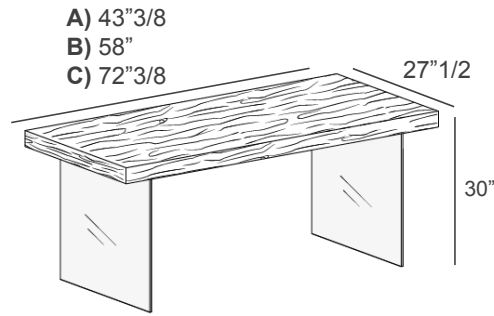
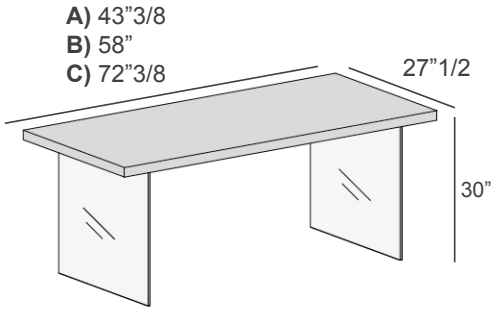
Top: Lacquered or Wildwood.

Support: Tempered Glass.

Air

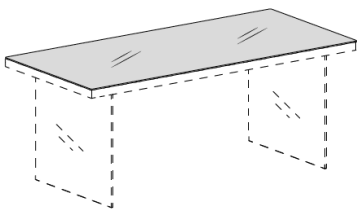
Dimensions

- A) 43³/₈W x 27¹/₂D x 30"H
- B) 58"W x 27¹/₂D x 30"H
- C) 72³/₈W x 27¹/₂D x 30"H
- D) 43³/₈W x 33¹/₂D x 30"H
- E) 58"W x 33¹/₂D x 30"H
- F) 72³/₈W x 33¹/₂D x 30"H

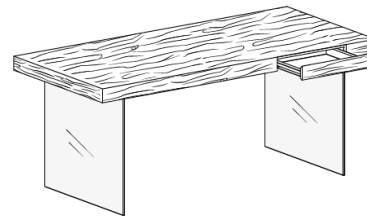


Lacquered Top (2" thick)

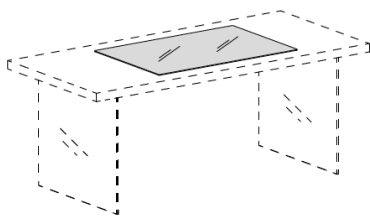
Wildwood Top (3¹/₈ thick)



Optional glass insert built-in flush to top
35³/₈W x 23⁵/₈D
-Available for Lacquered top only.



Wildwood Top + drawer
-Right-hand drawer for sizes "B", "C", "E" and "F"(while seating on the desk).
-Central drawer for sizes "A" and "D".



Optional glass top
1/8" thick.
-Available for Lacquered top only.