

Air

Design: Daniele Lago



Description

The new Air desk has an elegant and practical design, perfect for creating a home office to study or work in, helping boost concentration in a peaceful and tranquil space. The desk base is made from tempered glass, making it highly resistant and giving this structural feature an attractive look.

The three-dimensional grain of this innovative lightened, solid oak, processed using artisan methods, offers a tactile and emotional experience. It is heat-treated to make it extremely strong and impermeable, so that it preserves its beauty over time.

This elegant desk has a glass panel mounting with aluminum profile. The piece creates a magical floating effect, lighting the feel of the whole space. This captivating look is achieved through the contrast between the top and the transparent tempered-glass leg.

Made in Italy.

Finishes & Materials

Top: Lacquered or Wildwood.

Support: Tempered Glass.

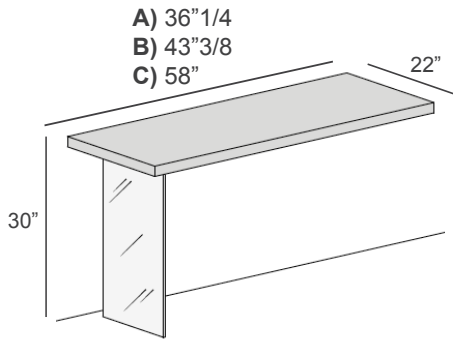
Air

Dimensions

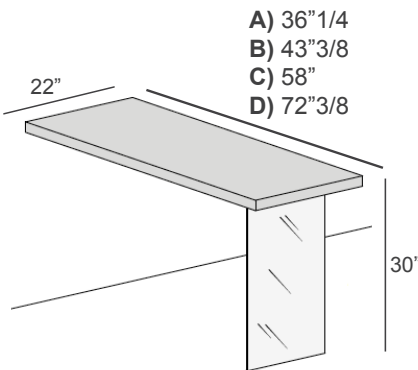
- A) 36"1/4W x 22"D x 30"H
- B) 43"1/2W x 22"D x 30"H
- C) 58"W x 22"D x 30"H
- D) 72"3/8W x 22"D x 30"H

- E) 36"1/4W x 27"1/2D x 30"H
- F) 43"1/2W x 27"1/2D x 30"H
- G) 58"W x 27"1/2D x 30"H
- H) 72"3/8W x 27"1/2D x 30"H

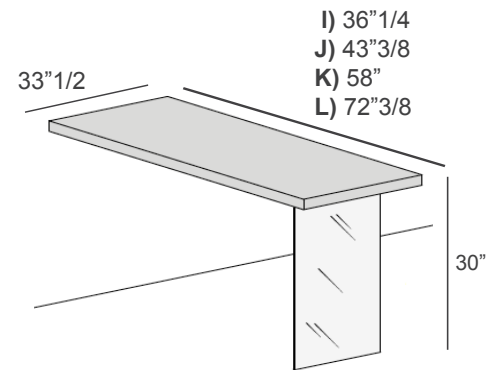
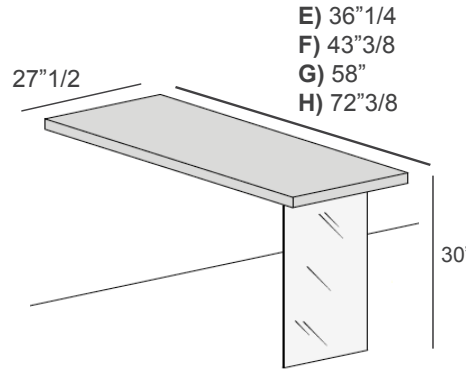
- I) 36"1/4W x 33"1/2D x 30"H
- J) 43"1/2W x 33"1/2D x 30"H
- K) 58"W x 33"1/2D x 30"H
- L) 72"3/8W x 33"1/2D x 30"H



Long side fitting



Short side fitting



Lacquered top thickness: 2".

Wildwood top thickness: 3"1/8.

Please note: Wildwood top not available for sizes "E", "F", "G" and "H".