

Air

Design: Daniele Lago



Description

Floating bedroom drawer units supported by strong tempered glass seem to defy gravity: the ultimate expression of LAGO's distinctive lightweight design for the Air collection. Create storage to suit your space, thanks to the freedom to choose the size, materials and finish. Skilfully crafted with aluminum filigree and a 45° profile, Air dressers flaunt a unique construction quality to ensure they stand the test of time.

The innovative XGlass technology is designed harmoniously to combine the elegance of glass with the magic of elements such as marble, metal, wood and fabrics, affording mesmerizing textured effects. Imperceptible extra-clear tempered glass supports are anchored to the storage units by means of a concealed fastening system that guarantees stability, safety and a fascinating feeling of lightness.

Air dressers can be wall mounted. Optional back LED lighting.

Made in Italy.

Finishes & Materials

Structure: Lacquered.

Fronts: Lacquered, Polished and Matt Glass or XGlass.

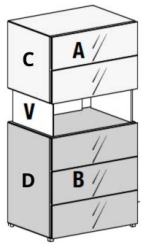
Supports: Tempered Glass.

Air

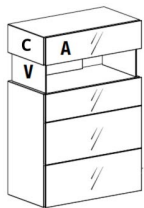
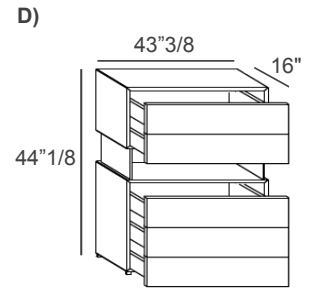
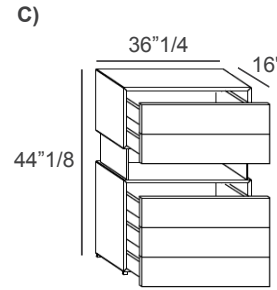
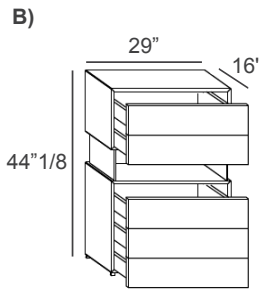
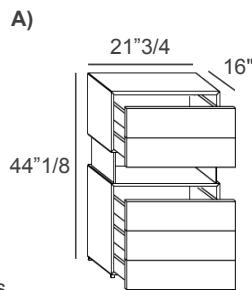
Dimensions

- A) 21"3/4W x 16"D x 44"1/8H
- B) 29"W x 16"D x 44"18H
- C) 36"1/4W x 16"D x 44"1/8H
- D) 43"3/8W x 16"D x 44"1/8H
- E) 29"W x 20"D x 44"18H
- F) 36"1/4W x 20"D x 44"1/8H
- G) 43"3/8W x 20"D x 44"1/8H

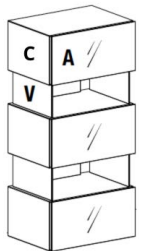
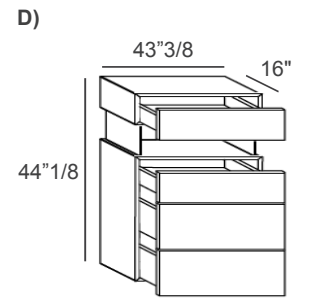
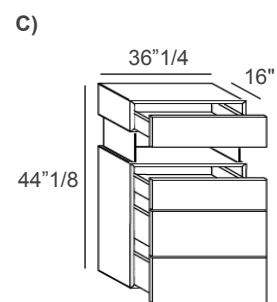
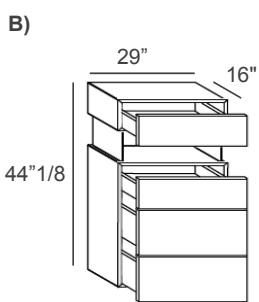
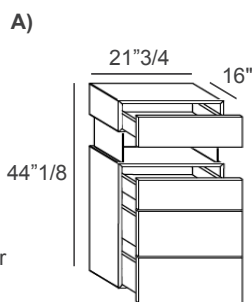
- H) 21"3/4W x 16"D x 47"3/4H
- I) 29"W x 16"D x 47"3/4H
- J) 36"1/4W x 16"D x 47"3/4H
- K) 43"3/8W x 16"D x 47"3/4H
- L) 29"W x 16"D x 51"3/8H
- M) 36"1/4W x 16"D x 51"3/8H
- N) 43"3/8W x 16"D x 51"3/8H



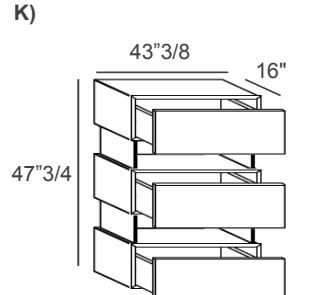
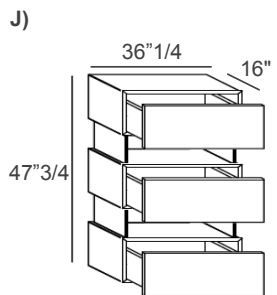
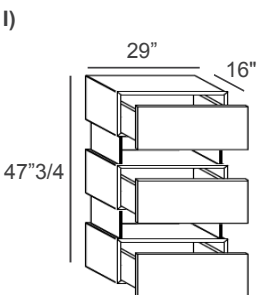
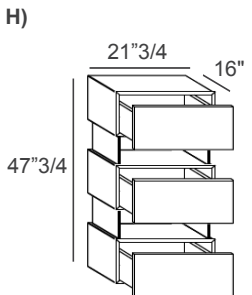
Version 1
A-B) Polished/Matt Glass.
C-D) Lacquered.
V) Tempered Glass.

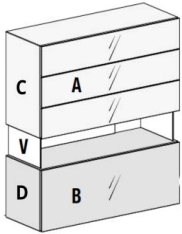


Version 2
A) Polished/Matt Glass or XGlass.
C) Lacquered.
V) Tempered Glass.

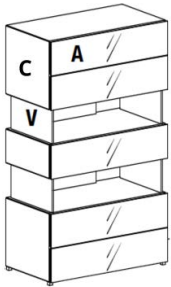
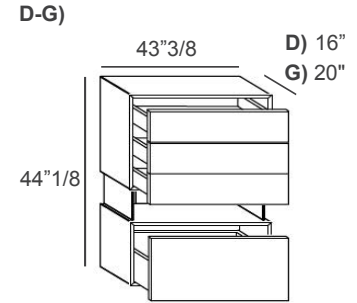
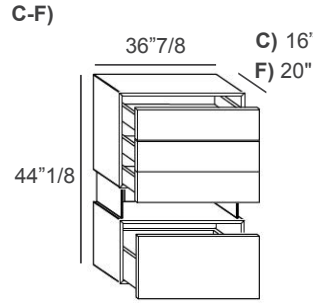
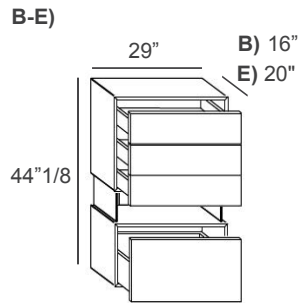


Version 3
A) Polished/Matt Glass or XGlass.
C) Lacquered.
V) Tempered Glass.

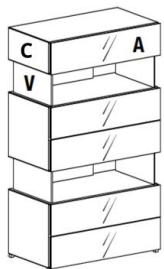
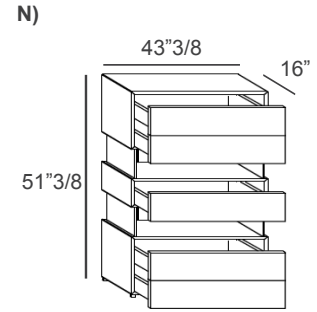
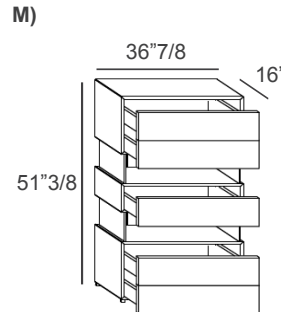
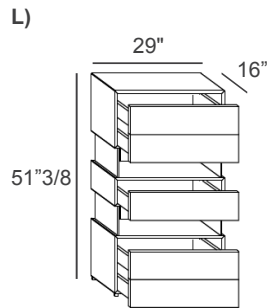




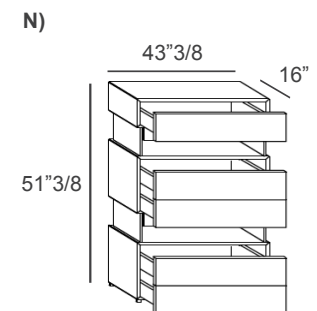
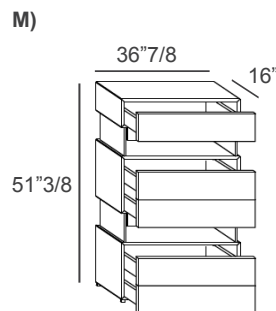
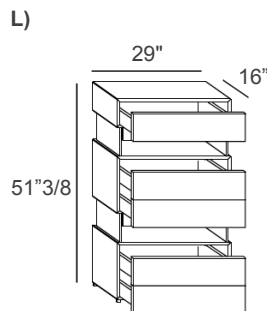
Version 4
A-B) Polished/Matt Glass.
C-D) Lacquered.
V) Tempered Glass.



Version 5
A) Polished/Matt Glass or XGlass.
C) Lacquered.
V) Tempered Glass.

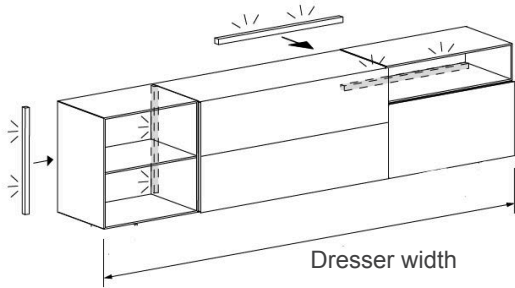


Version 6
A) Polished/Matt Glass or XGlass.
C) Lacquered.
V) Tempered Glass.



Air

Optional accessories



Optional back LED lighting

Horizontal or vertical small strip.

3000°K - Clip fastening.

Control with wall switch.

With or without power unit

(80 W - 110V - At least one light required -

Not set up for cables to pass through).

With or without dimmer remote.