

## Air Soft

*Design: Daniele Lago*



### *Description*

Soft, supple forms combine with the sophisticated modular build of the Air sectional. This is a highly developed product. Made from extremely elastic and long-lasting materials and with a layer of selected, certified goose down, it is ultra-comfy and inviting.

The aluminum frame technology and patented coupling mechanisms for the seats and backrests allow you to create infinite configurations in just a few simple steps, giving you the freedom to build your own composition.

The supports are available in tempered glass (highly resistant to impact, heat and changes in temperature, giving an ethereal, innovative stamp to any space that is home to the Air Soft sectional.

Optional back, decorative and lumbar support cushions are available.

Made in Italy.

### *Finishes & Materials*

**Cover:** Fabric (Cat. B or C) and Leather.

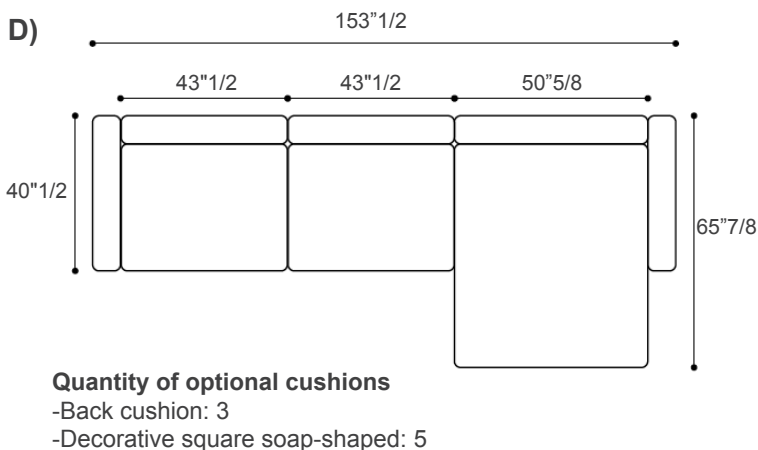
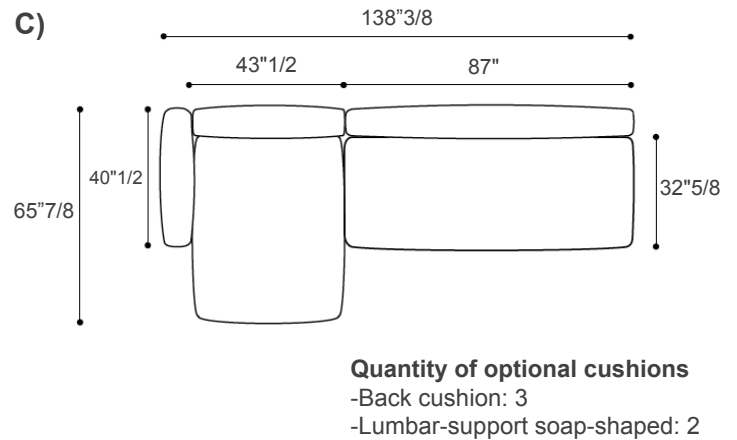
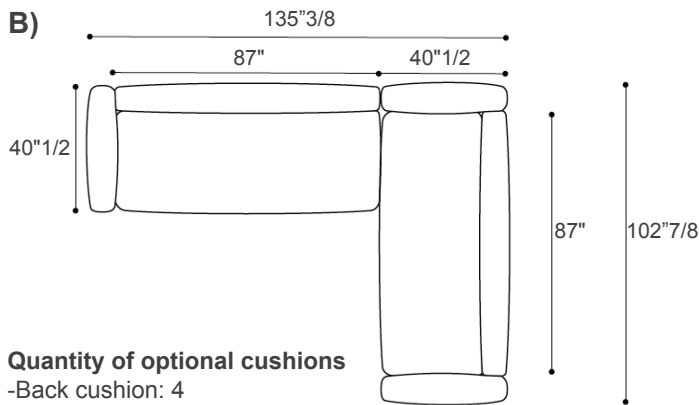
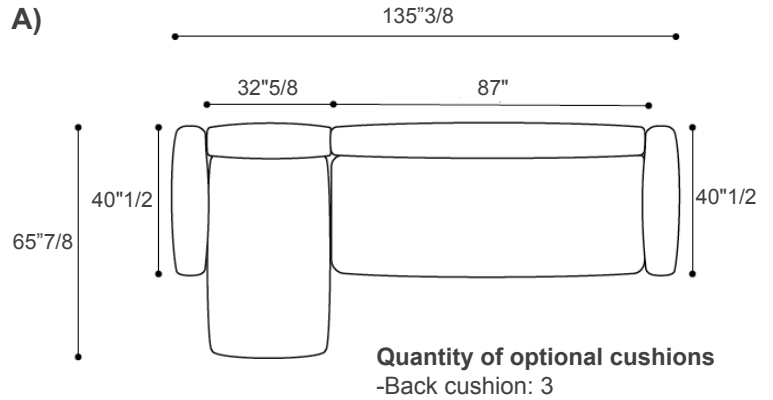
**Legs:** Tempered Glass.

*Please note: Composition "E" is not available in Leather.*

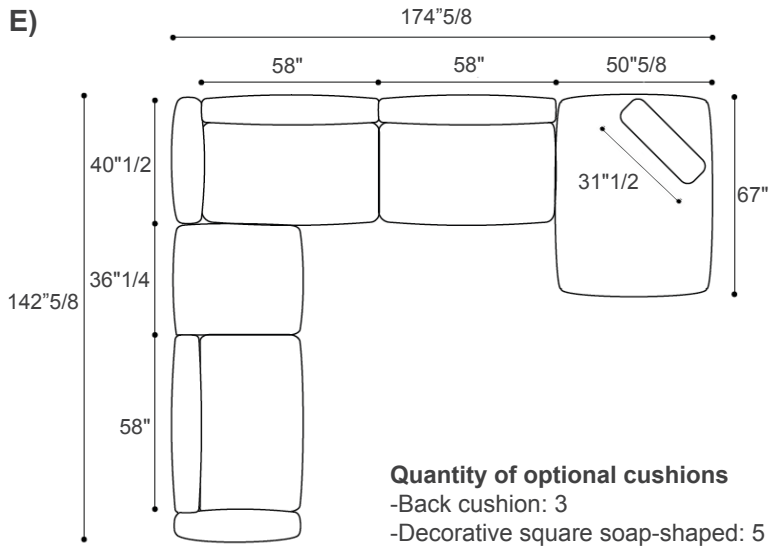
## Air Soft

### Compositions

- A) 135"3/8W x 65"7/8D x 26"3/8H
- B) 135"3/8W x 102"7/8D x 26"3/8H
- C) 138"3/8W x 65"7/8D x 26"3/8H
- D) 153"1/2W x 65"7/8D x 26"3/8H
- E) 174"5/8W x 142"5/8D x 26"3/8H



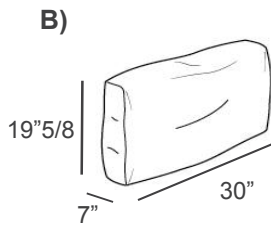
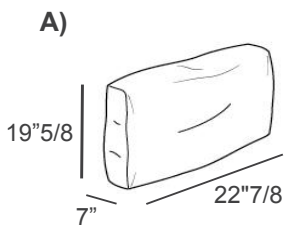
## Air Soft



### Optional back cushion:

A) 22"7/8W x 7"D x 19"5/8H

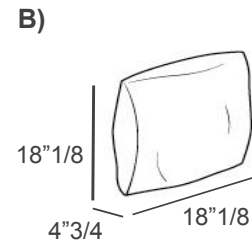
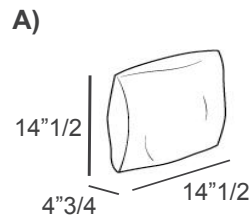
B) 30"W x 7"D x 19"5/8H



### Optional decorative square soap-shaped cushion:

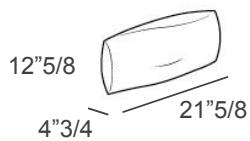
A) 14"1/2W x 4"3/4D x 14"1/2H

B) 18"1/8W x 4"3/4D x 18"1/8H



### Optional lumbar-support soap-shaped cushion:

21"3/4W x 4"3/4D x 12"5/8H



### Legs in Tempered Glass

