

Air Soft

Design: Daniele Lago



Description

Soft, supple forms combine with the sophisticated build of the Air sofa.

This is a highly developed product. Made from extremely elastic and long-lasting materials and with a layer of selected, certified goose down, it is ultra-comfy and inviting.

The aluminum frame technology and patented coupling mechanisms for the seats and backrests allow you to create infinite configurations in just a few simple steps, giving you the freedom to build your own composition.

The supports, available in tempered glass (highly resistant to impact, heat and changes in temperature) and steel: two uniquely elegant solutions that give an ethereal, innovative stamp to any space that is home to the Air Soft sofa.

Optional cushions filled with goose feathers available.

Made in Italy.

Finishes & Materials

Cover: Fabric (Cat. B or C) and Leather.

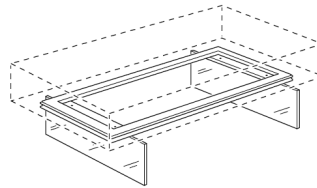
Support: Tempered Glass or Powder Coated Steel.

Air Soft

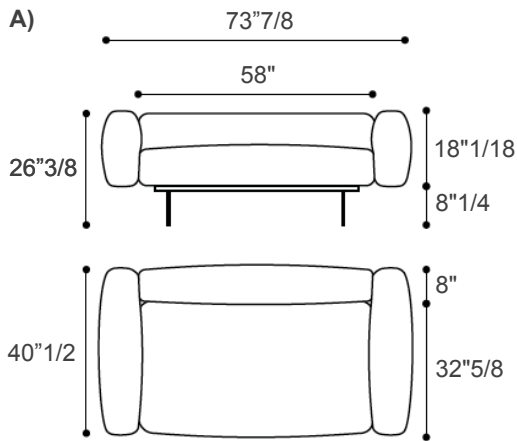
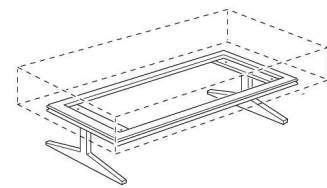
Dimensions

- A) 73"7/8W x 40"1/2D x 26"3/8H
- B) 88"3/8W x 40"1/2D x 26"3/8H
- C) 102"7/8W x 40"1/2D x 26"3/8H
- D) 117"3/8W x 40"1/2D x 26"3/8H
- E) 124"1/2W x 40"1/2D x 26"3/8H
- F) 131"7/8W x 40"1/2D x 26"3/8H
- G) 146"1/4W x 40"1/2D x 26"3/8H
- H) 160"3/4W x 40"1/2D x 26"3/8H
- I) 168"W x 40"1/2D x 26"3/8H

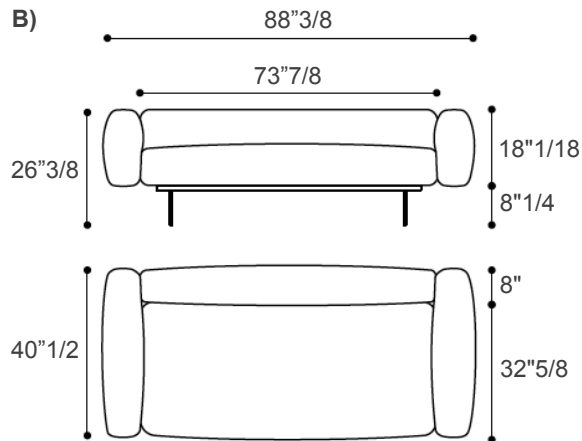
Legs in Tempered Glass



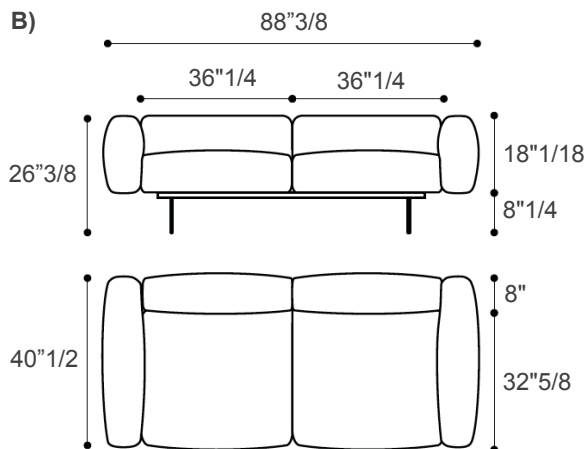
Legs in Steel



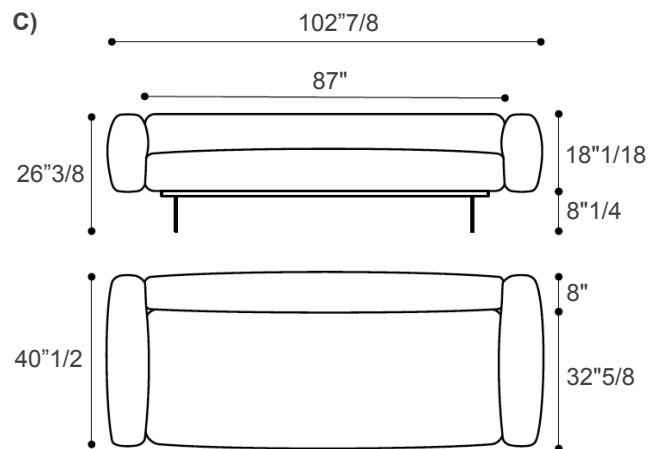
Version 1



Version 2

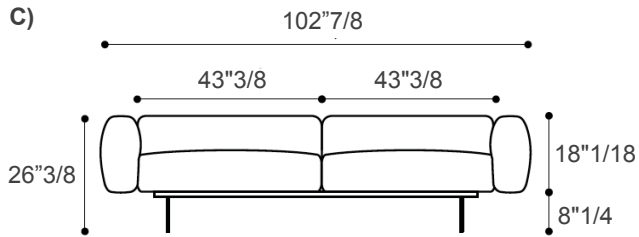


Version 3

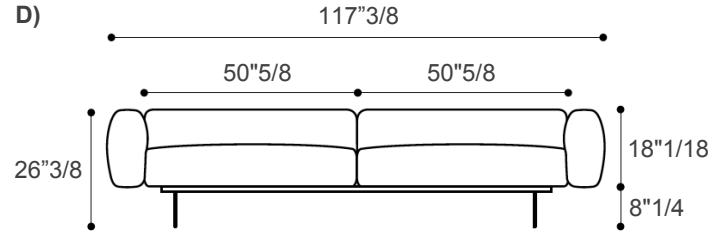


Version 4

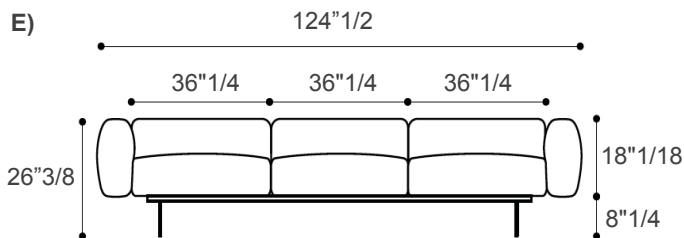
Air Soft



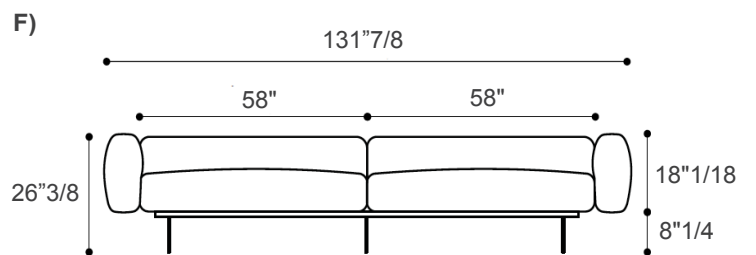
Version 5



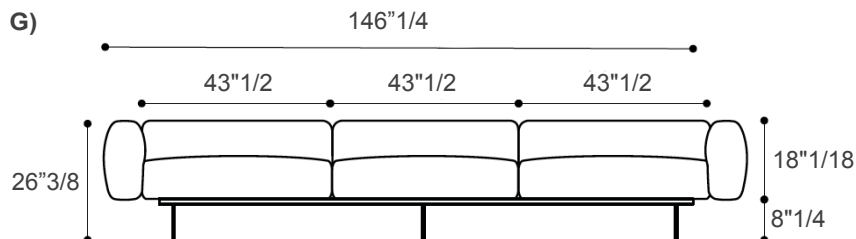
Version 6



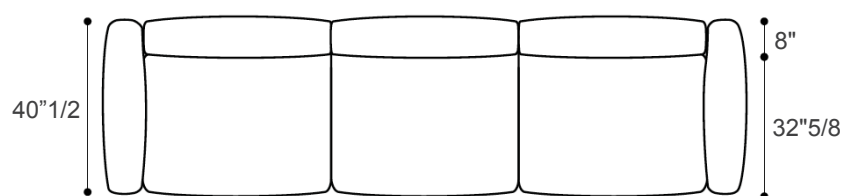
Version 7



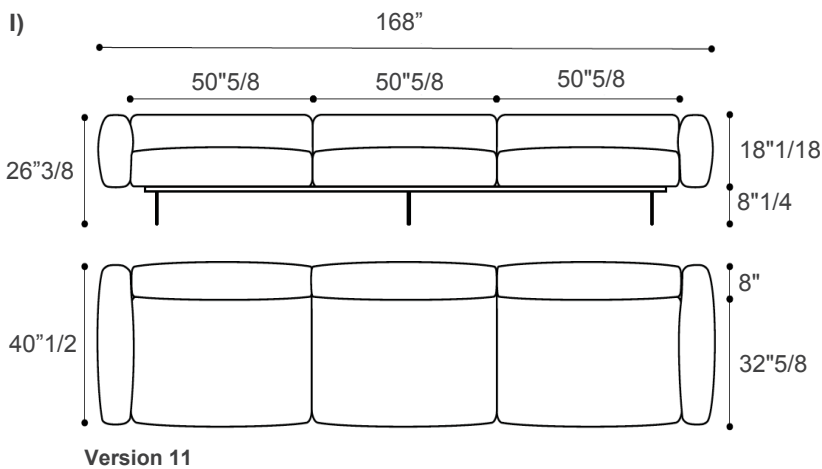
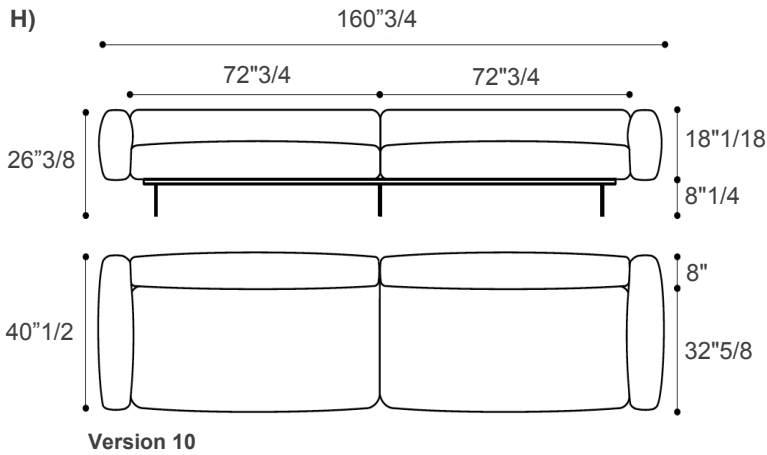
Version 8



Version 9

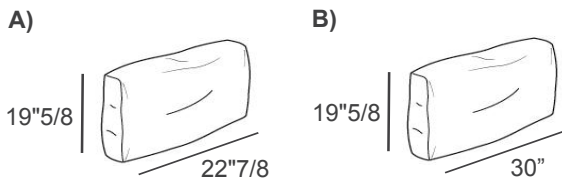


Air Soft



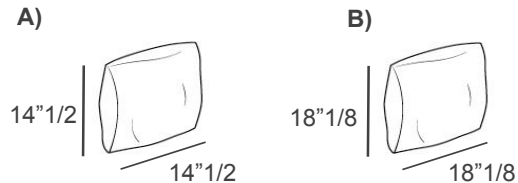
Optional back cushion:

- A) 22"7/8W x 19"5/8H
- B) 30"W x 19"5/8H



Optional square knife-edge cushion:

- A) 14"1/2W x 14"1/2H
- B) 18"1/8W x 18"1/8H



Optional lumbar support knife-edge cushion:

21"3/4W x 12"5/8H

