

Air

Design: Daniele Lago



Description

An elegant Bookshelf with a built-in desk to custom-furnish your study.

A sound solution if you're working or studying from home. The self-standing Air Bookshelf on glass supports seems to float in mid air, allowing natural light to filter through and lightening the look of the space.

There are no limits on size and the unit can even be positioned in the middle of the room. It blends into the architecture, dividing the space as it extends up to the ceiling.

Peace and privacy are guaranteed. Thanks to the built-in Air desk, you can create flexible compositions that can be moved around the space to suit your needs. Various different storage options and the double-sided finish mean you can create a comprehensive study space in which to work and learn.

Made in Italy.

Finishes & Materials

Shelves & Desk: Lacquered.

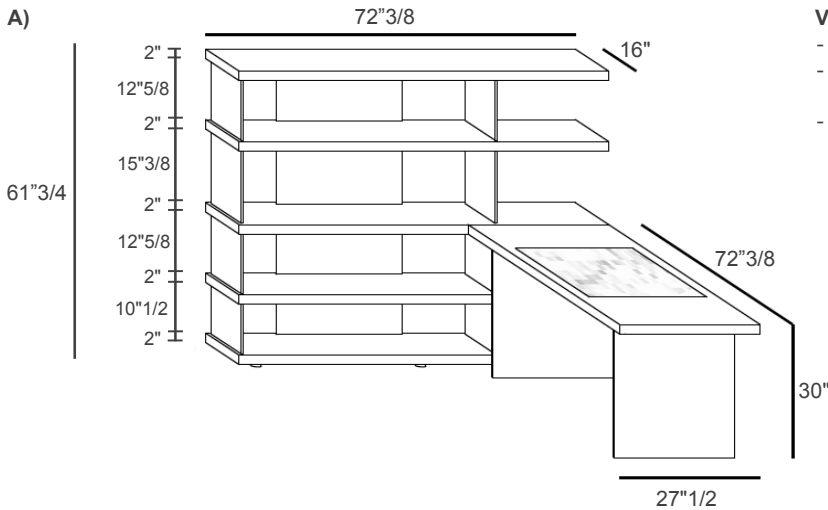
Supports: Tempered Glass.

Desk Insert: Polished or Matt XGlass.

Air

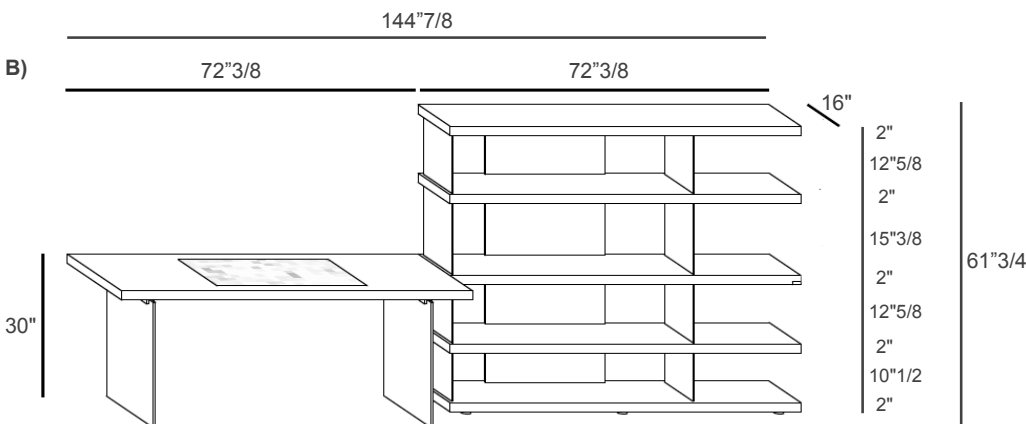
Dimensions

- A) 72"3/8W x 88"3/8D x 61"3/4H
- B) 144"7/8W x 27"1/2D x 61"3/4H
- C) 72"3/8W x 43"1/2D x 61"3/4H
- D) 72"3/8W x 88"3/8D x 30"H
- E) 144"7/8W x 27"1/2D x 30"H
- F) 72"3/8W x 43"1/2D x 30"H



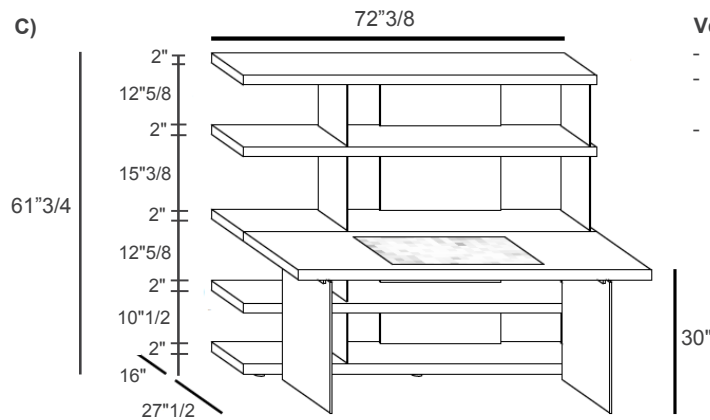
Version 1

- 5 lacquered shelves (2" thick)
- Each set of shelves has a different finish from the Lacquered collection
- Desk with XGlass insert



Version 2

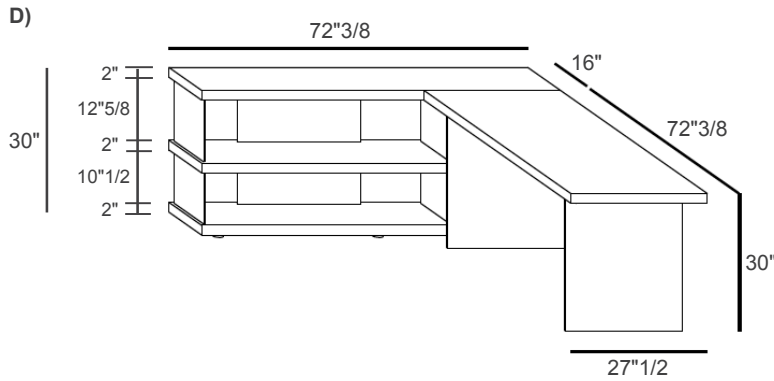
- 5 lacquered shelves (2" thick)
- Each set of shelves has a different finish from the Lacquered collection
- Desk with XGlass insert



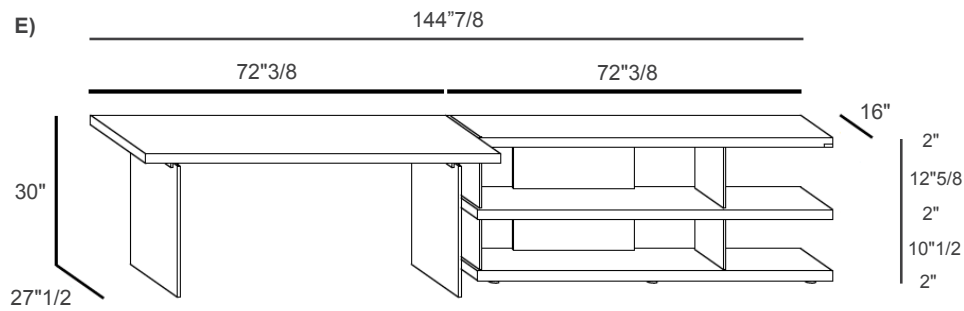
Version 3

- 5 lacquered shelves (2" thick)
- Each set of shelves has a different finish from the Lacquered collection
- Desk with XGlass insert

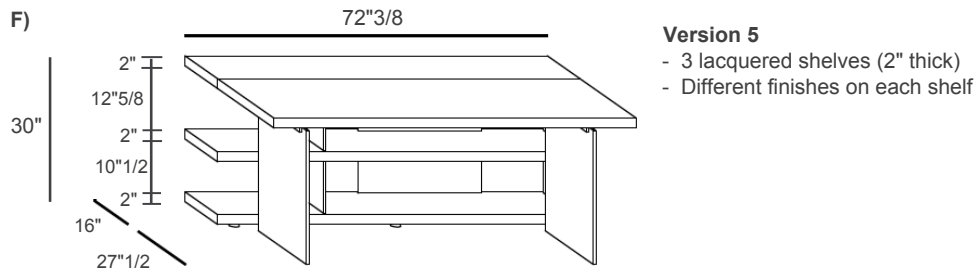
Air



- Version 3**
- 3 lacquered shelves (2" thick)
 - Different finishes on each shelf



- Version 4**
- 3 lacquered shelves (2" thick)
 - Different finishes on each shelf



- Version 5**
- 3 lacquered shelves (2" thick)
 - Different finishes on each shelf