

# Air

*Design: Daniele Lago*



## *Description*

Wide functional solution for home offices, where the essential elegance of glass meets the materiality of wood to furnish interiors with refined character: An elegant Bookshelf with a built-in desk to custom-furnish your study. A sound solution if you're working or studying from home. The self-standing Air Bookshelf on glass supports seems to float in mid air, allowing natural light to filter through and lightening the look of the space.

There are no limits on size and the unit can even be positioned in the middle of the room. It blends into the architecture, dividing the space as it extends up to the ceiling.

Peace and privacy are guaranteed. Thanks to the built-in Air desk, you can create flexible compositions that can be moved around the space to suit your needs. Various different storage options and the double-sided finish mean you can create a comprehensive study space in which to work and learn.

Made in Italy.

## *Finishes & Materials*

**Shelves:** Lacquered and Wildwood.

**Desk:** Wildwood.

**Supports:** Tempered Glass.

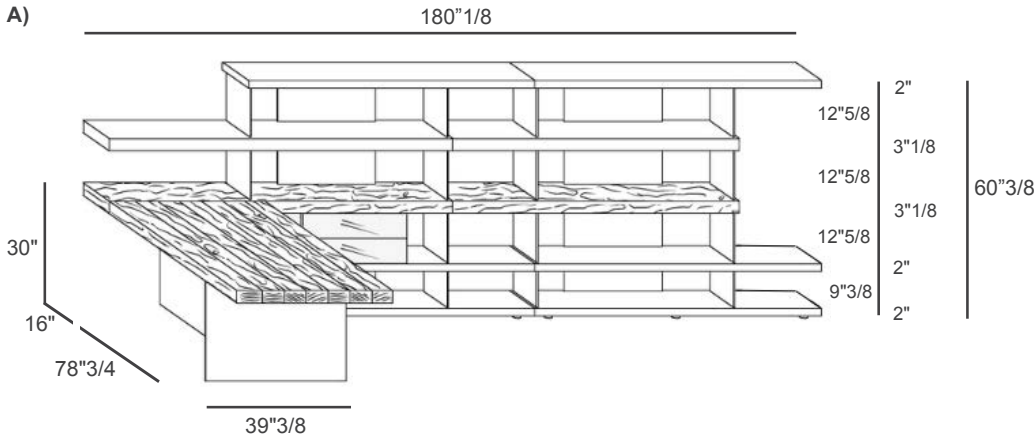
## Air

### Dimensions

A) 180"1/8W x 92"3/4D x 60"3/8H

B) 107"3/4W x 88"3/8D x 60"3/8H

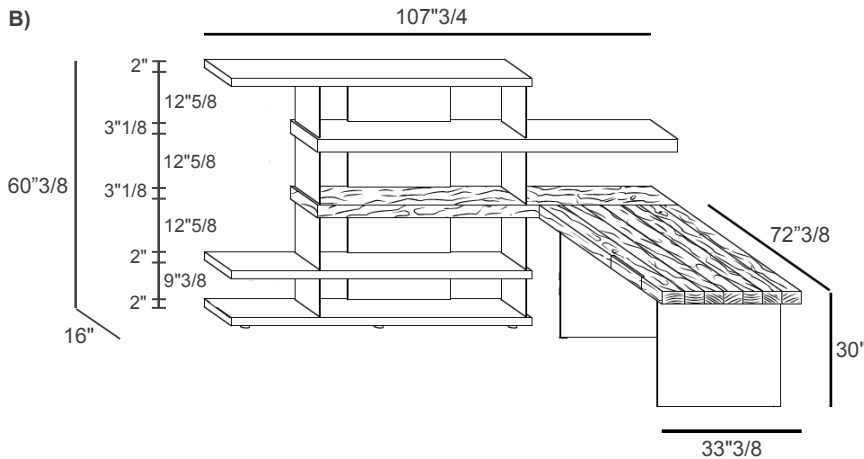
C) 87"W x 88"3/8D x 59"1/4H



#### Version 1

- 6 Lacquered shelves 2" thick - 72"3/8W.
- 1 Lacquered shelf 3"1/8 thick - 72"3/8W.
- 1 Lacquered shelf 3"1/8 thick - 87"W.
- 1 Wildwood shelf 3"1/8 thick - 72"3/8W.
- 1 Wildwood shelf 3"1/8 thick - 87"W.
- 1 Wildwood Desk 3"1/8 thick - 78"3/4W.
- 1 Glass set with storage unit with 2 drawers.

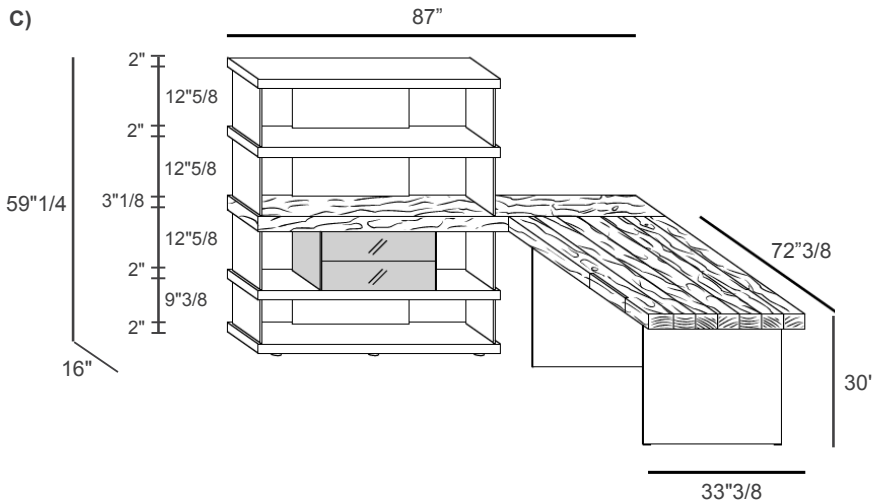
Same finish for all Lacquered shelves.



#### Version 2

- 3 lacquered shelves 2" thick - 72"3/8W.
- 1 lacquered shelf 3"1/8 thick - 87"W.
- 1 Wildwood shelf 3"1/8 thick - 87"W.
- 1 Wildwood Desk 3"1/8 thick - 72"3/8W.

Each set of Lacquered shelves has a different finish.



#### Version 3

- 4 lacquered shelves 2" thick - 51"5/8W.
- 1 Wildwood shelf 3"1/8 thick - 87"W.
- 1 Storage unit with 2 Glass drawers.

Same finish for all Lacquered shelves.