

Bed-In

Design: Mauro Lipparini



Description

The Bed-in headboard is made up of a large ergonomic cushion with hugging forms that invites you into a relaxing space, creating a warm feeling of protection. High-quality tailoring and stitching finish off this light, dynamic bed design featuring original flared shaping at the bottom.

Bed-In boasts a generously padded headboard that helps you to fall asleep nestled in a safe embrace. You can customize the upholstery in LAGO's vast range of covers to create a unique look that suits your interiors.

This elegant bed includes an internal wooden structure with different thicknesses, padded with shaped polyurethane with differentiated densities and with an orthopedic frame made with tubular metal structure and with plywood slats inserted in the tubular frame using specific silencer sheaths.

The floor-standing version can include a storage compartment under the mattress, providing extra space for storing your things. The support consists on plastic feet for the floor-standing version and epoxy-powder coated metal for model with metal legs.

Made in Italy.

Finishes and Materials

Headboard: Fabric (Cat. B or C), Eco-Leather and Leather.

Feet: Plastic.

Legs: Powder Coated Steel.

Bed-In

Dimensions

Queen: To fit American Queen size mattress 59"7/8W x 80"D.

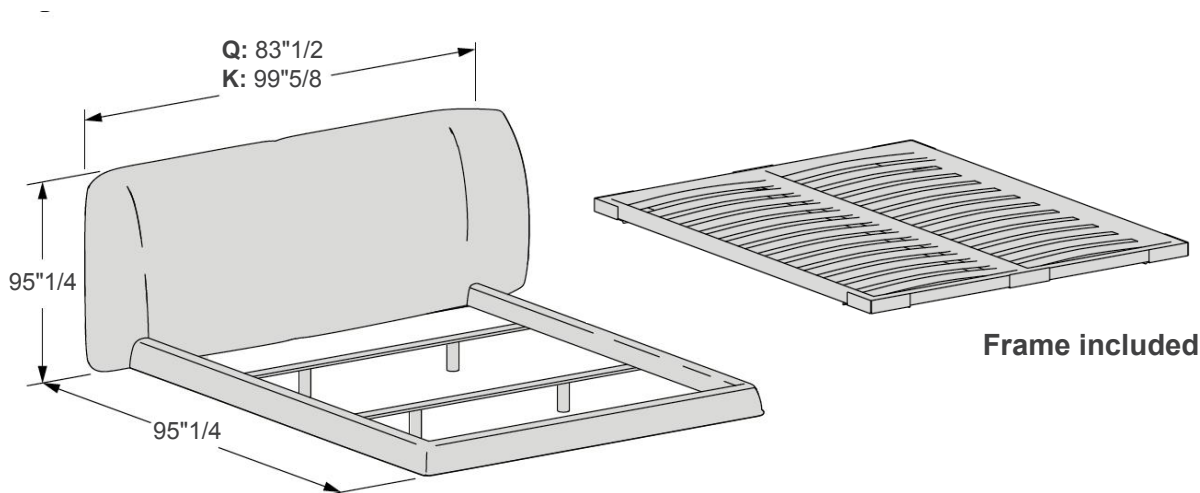
King: To fit American King size mattress 76"W x 80"D.

Queen: 83"1/2W x 95"1/4D x 36"5/8H

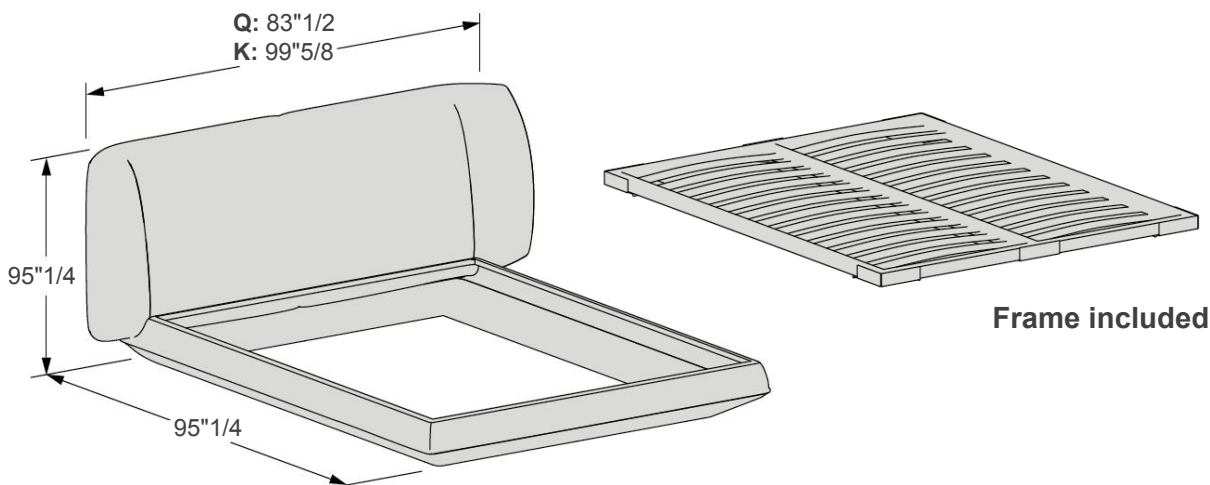
King: 99"5/8W x 95"1/4D x 36"5/8H

Three versions available:

- Leg-standing
- Floor-standing
- Floor-standing with storage compartment and pull-out slats



Leg-standing version



Floor-standing version with or without storage