

## Fluttua

*Design: Daniele Lago*



### *Description*

Fluttua is the world's first floating bed, defying gravity and offering you an exhilarating sleep experience, floating on air. The frame is held up by a single, central, height-adjustable support, which is fastened to the wall with a carefully designed mechanism. The innovative HPL bed base is 3/8", being imperceptible to the eye, it creates a magical floating effect. There's no barrier beyond the mattress, no solid obstacle restricting the flow of the space in the room. This also makes it easy to clean and keep hygienic.

Thanks to its carefully studied engineering, the bed can be mounted on different types of wall and plasterboard. Rigorous testing ensures the highest safety standards while you sleep. The adjustable frame has been also carefully engineered to support loads of up to 528 lbs (240 Kg), tried and tested. The bed base is free of slats, and doesn't flex or creak. The height can be adjusted via the central support.

LED lighting can be built into the lower part of the base and on the headboard, creating a unique sensory effect guaranteed to blow you away. Headboards can be infinitely customized and accessorized with functional shelves or bedside tables, and with LED lighting which can be built on the headboard or under the bed base, to further emphasize the iconic, evocative, floating effect.

A panel is needed if the bed will be fixed to a plasterboard wall.

Optional accessories available: LED lighting under bedflat and on headboard (with or without power unit and dimmer), glass or fabric-covered shelves and Materia bedside tables.

Made in Italy.

### *Finishes and Materials*

**Headboard:** Wildwood.

**Base:** Black kraft multi-ply HPL panel.

**Optional shelves and bedside tables:** Polished and Matt Glass or XGlass.

**Optional fabric-covered shelves:** Fabric (Cat. B and C), Eco-Leather and Leather.

## Fluttua

### Dimensions

**Queen:** To fit American Queen size mattress 59"7/8W x 80"D.

**King:** To fit American King size mattress 76"W x 80"D.

**A) Queen:** 119"1/4W x 83"7/8D x 34"5/8H

**King:** 131"W x 82"5/8D x 34"5/8H

**B) Queen:** 115"7/8W x 83"7/8D x 34"5/8H

**King:** 123"5/8W x 82"5/8D x 34"5/8H

**C) Queen:** 103"W x 83"7/8D x 34"5/8H

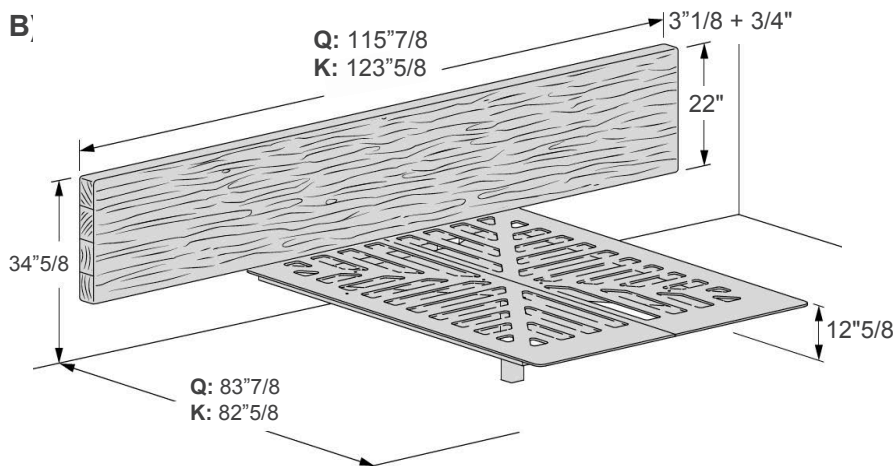
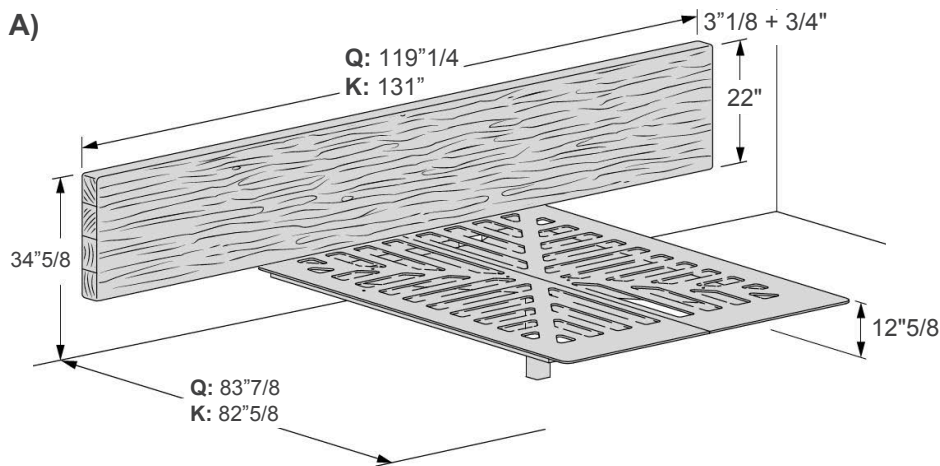
**King:** 115"7/8W x 82"5/8D x 34"5/8H

**D) Queen:** 59"W x 83"7/8D x 33"3/8H

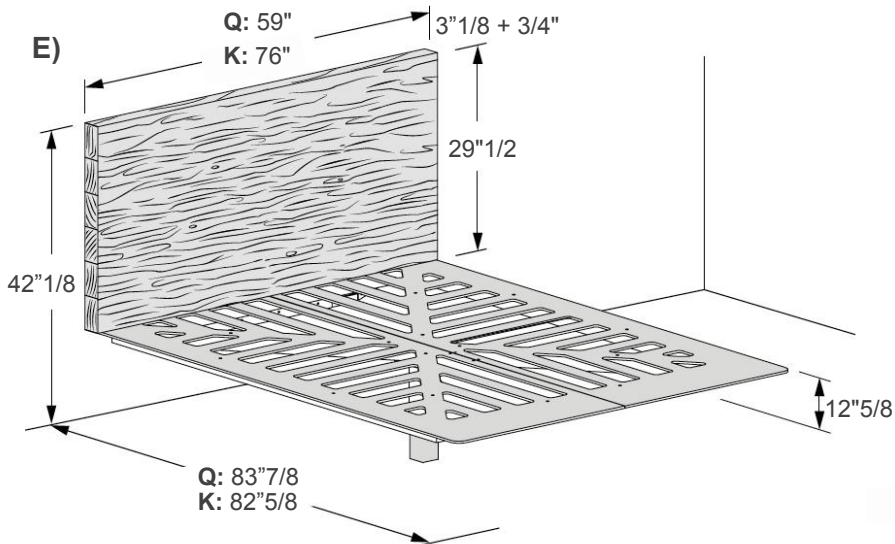
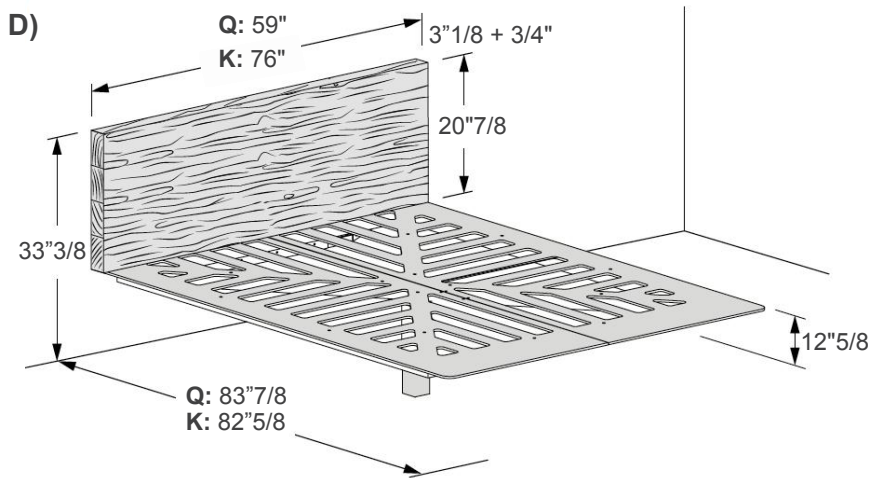
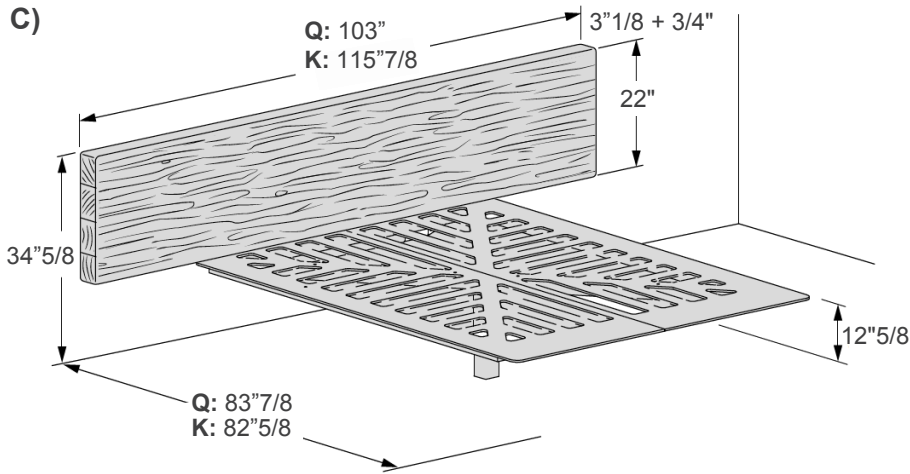
**King:** 76"W x 82"5/8D x 33"3/8H

**E) Queen:** 59"W x 83"7/8D x 42"1/8H

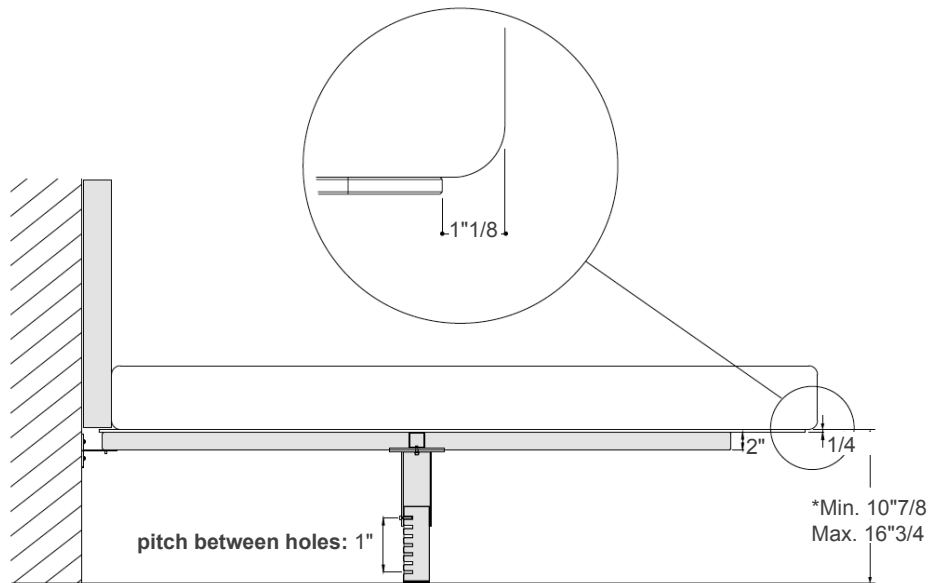
**King:** 76"W x 82"5/8D x 42"1/8H



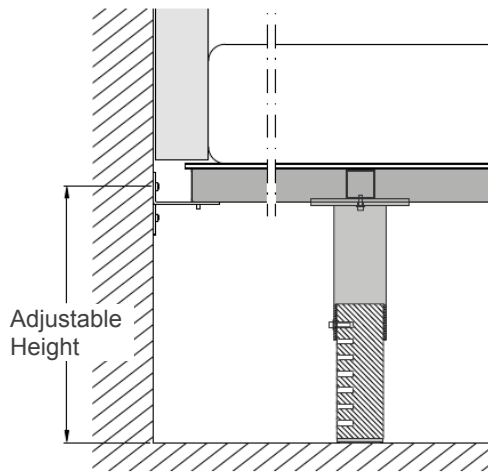
## Fluttua



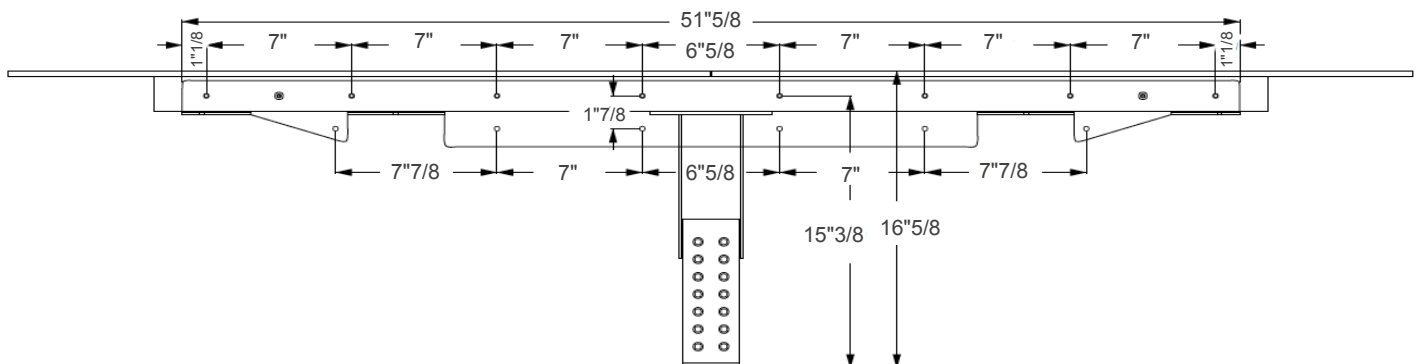
## Fluttua



\* The height of the platform is determined on the assembling phase

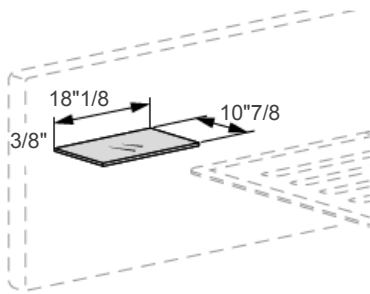


The platform height goes from  $10\frac{7}{8}$ " to  $16\frac{3}{4}$ "  
-7 heights every 1"

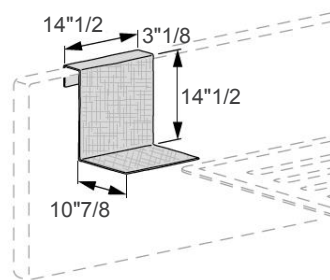


## Fluttua

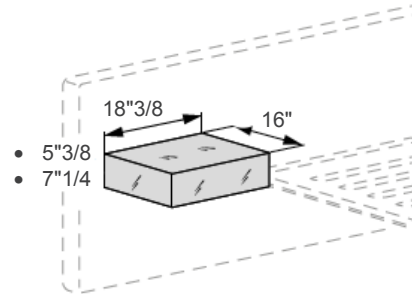
### Optional accessories



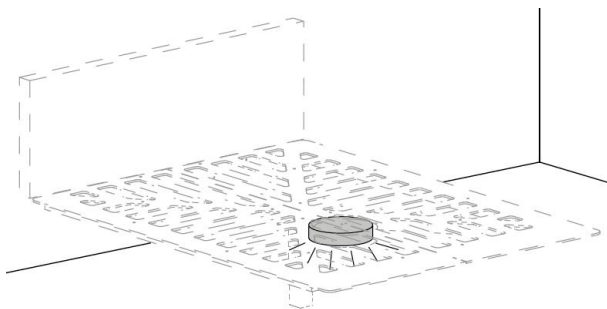
**Optional glass shelf**  
 18"1/8W x 10"7/8D x 3/8"H  
 Not available for "D" and "E" sizes.



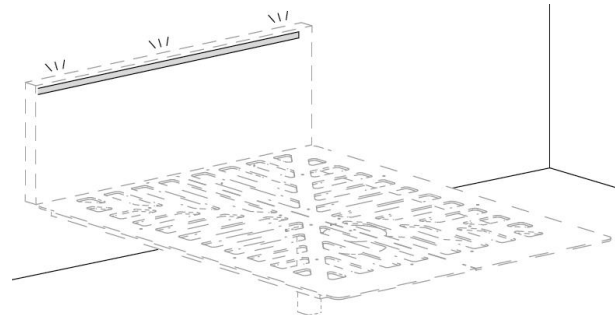
**Optional fabric-covered shelf**  
 14"1/2W x 10"7/8D x 14"1/2H  
 Not available for "D" and "E" sizes.



**Optional Materia bedside table with drawer**  
 -18"3/8W x 16"D x 5"3/8H  
 -18"3/8W x 16"D x 7"1/4H  
 \*Not available for "D" and "E" sizes.



**Optional lighting under bed**  
 3000°K LED bulb - 110V - Without switch.  
 Ø10"5/8



**Optional headboard lighting**  
 LED lighting 3.000°K - Power unit not included.  
 LED support 3/4" thick.  
 A power unit of 80W with 110V can be added.