

## Livre

*Design: Daniele Lago*



### *Description*

A sleek glass frame defines the contemporary design of the modern Livre desk, ensuring a durable and timeless product. The originality of the hexagonal top provides a desk with a sculptural character that furnishes work and study spaces with personality.

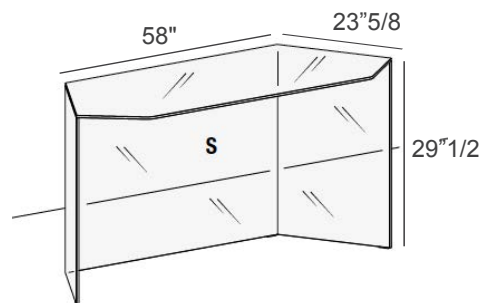
The Livre desk is fully clad in LAGO's hallmark design material, noble glass. As it interacts with the light, it creates deep, bright reflections that add a special touch to the product.

The rigorous glass-work expresses the formally perfect design of the Livre desk, guaranteeing extreme stability and security of the structure.

Made in Italy.

### *Dimensions*

58"W x 23"5/8D x 29"1/2H



### *Finishes & Materials*

**Top & Structure:** Tempered Glass (S).