

# Morgana

*Design: Daniele Lago*



## *Description*

Characterized by a sculptural and contemporary design, the Morgana space-saving bedside table can be customized according to each individual's needs, from one to three drawers, which rotate and slide independently from each other, thanks to a hidden joint.

The innovative XGlass technology is designed harmoniously to combine the elegance of glass with the magic of elements such as marble, metal, wood and fabrics, affording mesmerising textured effects.

Made in Italy.

## *Finishes & Materials*

**Structure:** Lacquered.

**Fronts:** Polished and Matt Glass or XGlass.

## Morgana

### Dimensions

#### One drawer

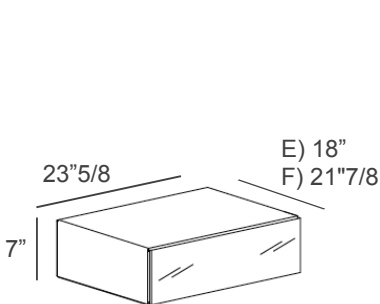
- A) 23"5/8W x 18"D x 7"H
- B) 23"5/8W x 21"7/8"D x 7"H

#### Two drawers

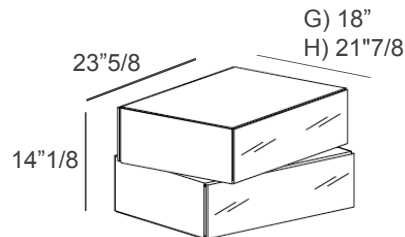
- C) 23"5/8W x 18"D x 14"1/8H
- D) 23"5/8W x 21"7/8"D x 14"1/8H

#### Three drawers

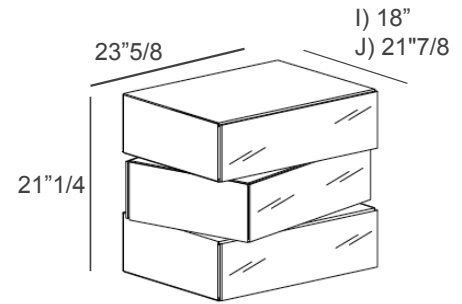
- E) 23"5/8W x 18"D x 21"1/4H
- F) 23"5/8W x 21"7/8"D x 21"1/4H



One drawer



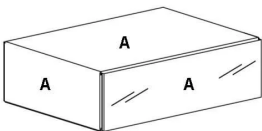
Two drawers



Three drawers

### Available combinations of finishes

- Matt Lacquered color of structure matching the Glass color of front:



- One Matt Lacquered color for structure & a different Glass color for the fronts:

-The Matt Lacquered structure and Glass front of each drawer match & each drawer has a different finish:

