

## Gemma



### Description

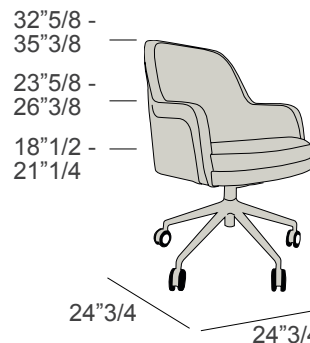
Gemma office armchair with a five-star base with wheels. Non-deformable rubber padding, with Dacron covering, swivel, height adjustable, curved birch stem and steel frame. A happy synthesis of elegance and ergonomics, played on refined leathers, available in the monochromatic or two-tone version. Each Italian handmade Mascheroni product is marked with a plate engraved with the brand "Mascheroni srl Made in Italy" which certifies its authenticity.




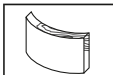

### Dimensions

24"3/4W x 24"3/4D x 32"5/8 - 35"3/8H

Seat width: 18"1/8

Seat depth: 18"7/8



-  Non-deformable rubber foam upholstery with Dacron covering
-  Revolving
-  Height adjustment
-  Birch shaped wood
-  Die-cast aluminum