

Polaris



Description

Office armchair with 5-stars steel base fitted with castors which adapt to all kinds of flooring. It is rotating and gas height adjustable by pulling the lever under the seat. With "Synchron" turning mechanism for a great comfort. Birch shaped wooden structure and non-deformable foam rubber padding with dacron covering. Available in all natural leathers of "Mascheroni Leather Colour Sytem" collection. Each Italian handmade Mascheroni product is marked with a plate engraved with the brand "Mascheroni srl Made in Italy" which certifies its authenticity.



Polaris

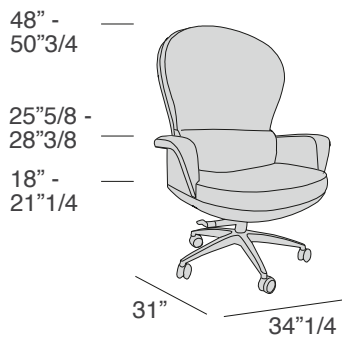
Dimensions

A: 34"1/4W x 31"D x 48" - 50"3/4H

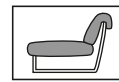
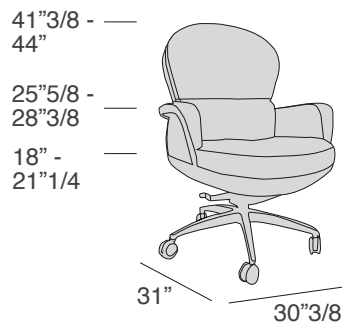
B: 30"3/8W x 31"D x 41"3/8 - 44"H

Seat depth: 20"1/2

A



B



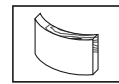
Non-deformable
rubber foam
upholstery with
Dacron covering



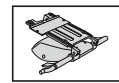
Revolving



Height adjustment



Birch shaped wood



Syncro mechanism