

## Aaron

*Design: Stefano Bigi*



### *Description*

Console with a strong personality with geometric lines, featuring a dynamic and harmonious play of shapes. Structure in solid canaletto walnut or ash wood and the top can be of wood veneered (1"1/8 th.), glass (3/8" th. or 1/2" th.) with electro welded supports or polished natural marble (3/4"th.). Offered with rectangular or barrel top. Made in Italy.

## Aaron

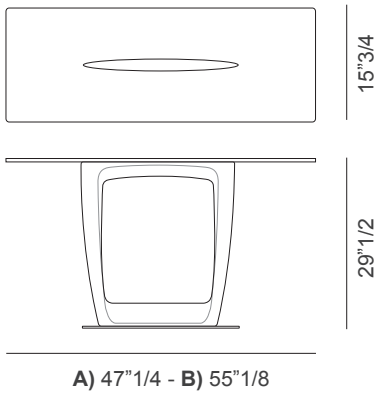
---

### Dimensions

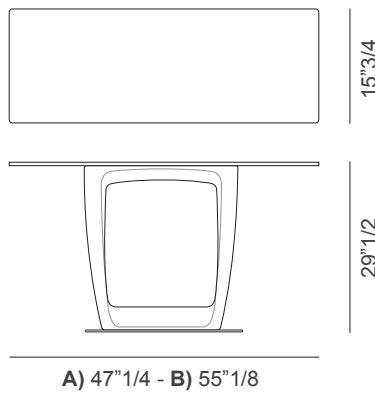
A) 47"1/4W x 15"3/4D x 29"1/2H

B) 55"1/8W x 15"3/4D x 29"1/2H

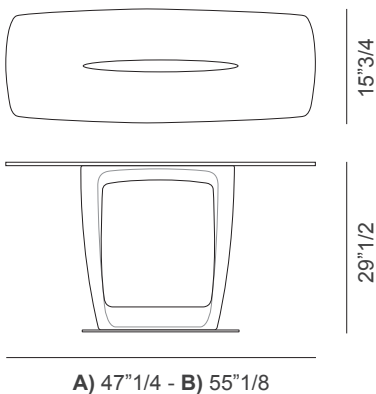
Rectangular Glass top



Rectangular Wooden / Marble top



Barrel Glass top



Barrel Wooden / Marble top

