

Shell

Design: Norberto Delfinetti



Description

Robust and monumental fixed table, viscerally sculptural thanks to the typical structure of an art foundry and at the same time a welcoming dining table. It comes with two bases made of wood with optional painted metal wings detail. The rectangular or barrel top is offered in wood (1"1/8 th.), matching the base, or in polished natural marble (3/4"th.). Made in Italy.

Shell

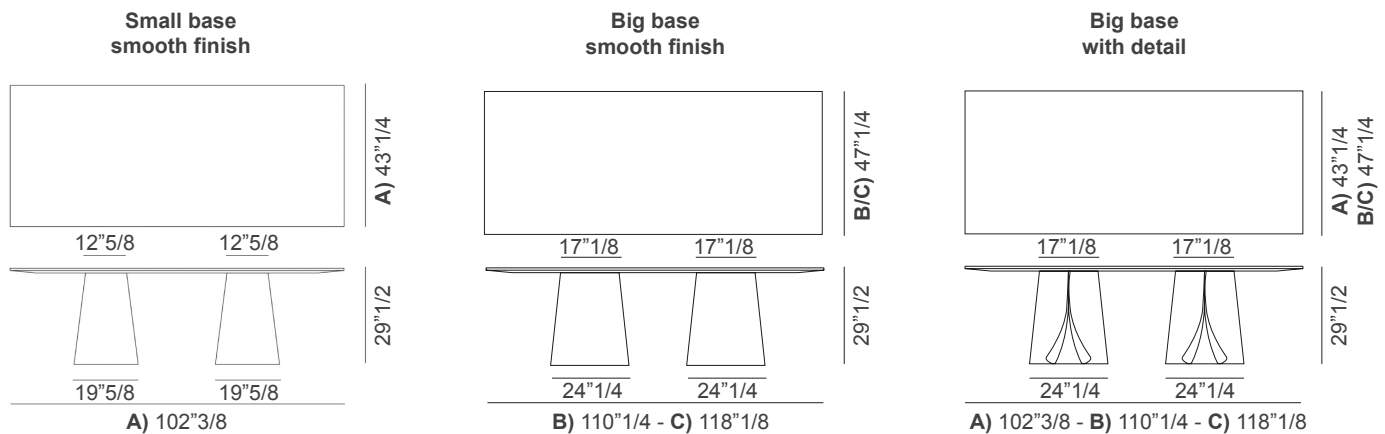
Dimensions

Rectangular top:

A) 102³/₈W x 43¹/₄D x 29¹/₂H

B) 110¹/₄W x 47¹/₄D x 29¹/₂H

C) 118¹/₈W x 47¹/₄D x 29¹/₂H



Barrel top:

D) 102³/₈W x 43¹/₄D x 29¹/₂H

E) 110¹/₄W x 47¹/₄D x 29¹/₂H

F) 118¹/₈W x 47¹/₄D x 29¹/₂H

