

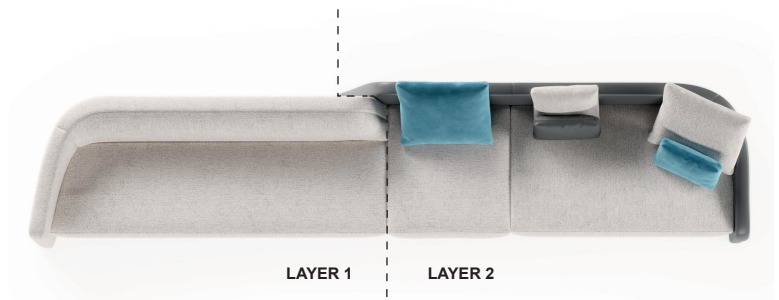
## Stratum

*Design: Pininfarina*



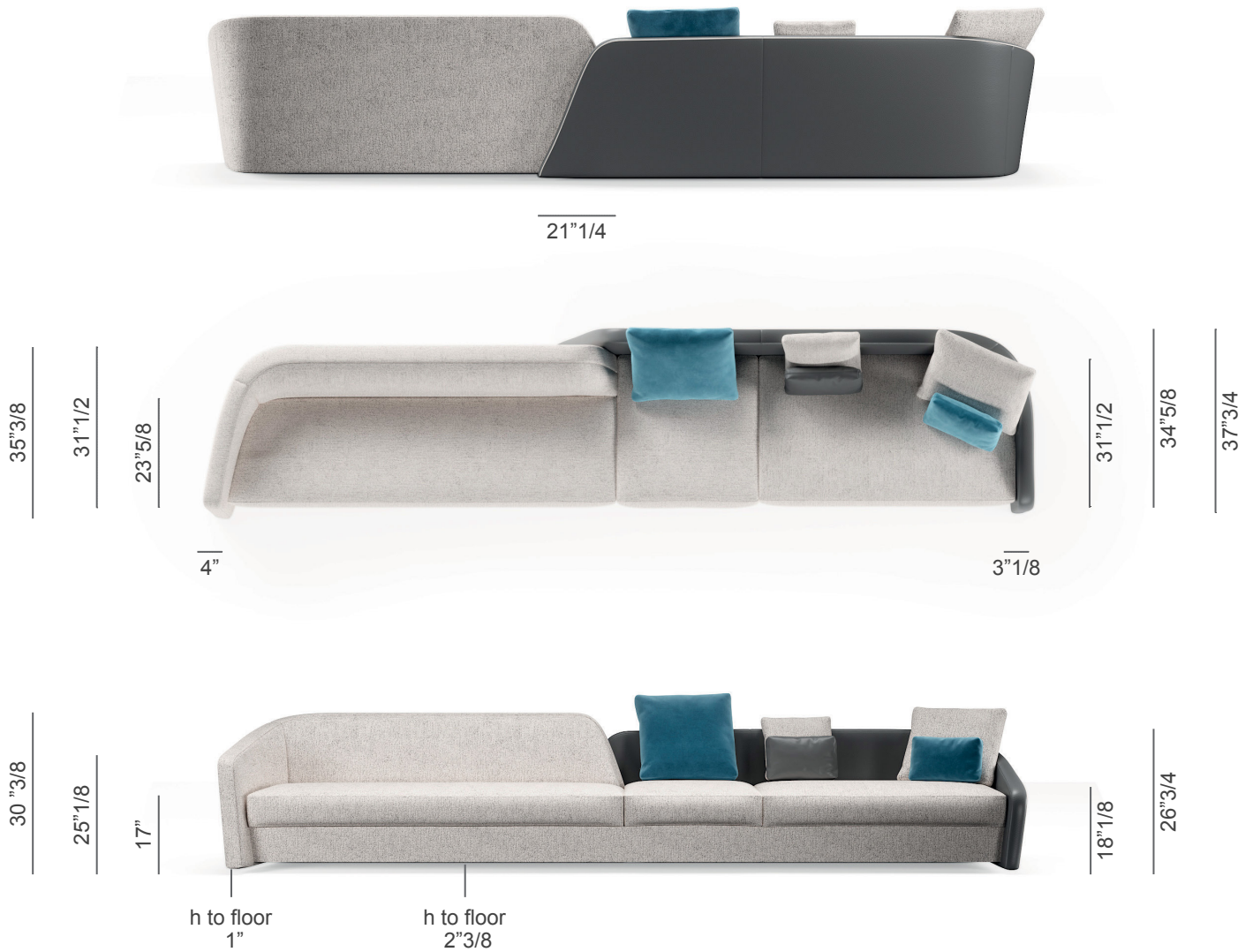
### *Description*

Sectional with internal wooden structure, polyurethane foam padding and non-deformable polyurethane seat cushions. Characterized by the composition in different layers that offer two different seat depths and upholstery combinations. The deeper Layer 2 can be customized with a double type of upholstery and with matching or contrasting color piping in Amsterdam fabric or in leather Cat. C. Upholstery available in fabric and leather. Removable cushions and covers. Made in Italy.



## Stratum

### Dimensions



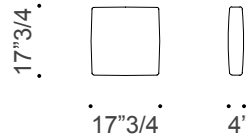
## Stratum

### Functional cushions

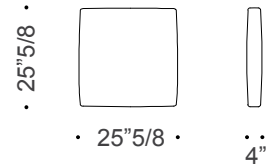
1



2



3



#### LAYER 1



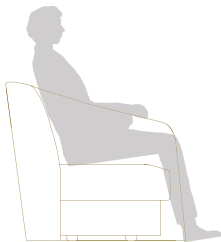
Layer 1 doesn't need functional cushions, the pillows are just for decoration

#### LAYER 2

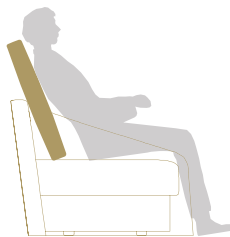


Layer 2 needs functional cushions organized with several compositional schemes based on required comfort (A-B-C-D)

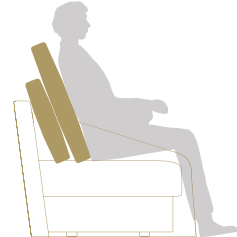
Position for conversation  
Decorative pillows at discretion of the client



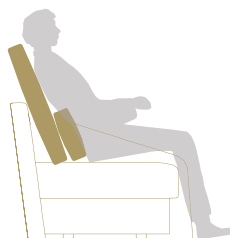
Position A - for total relax  
Functional cushion: 3



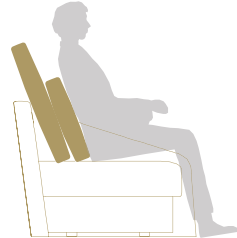
Position B - for conversation  
Functional cushions: 2 + 3



Position C - for relax  
Functional cushions: 3 + 1



Position D - for comfort conversation  
Functional cushions: 3 + 2



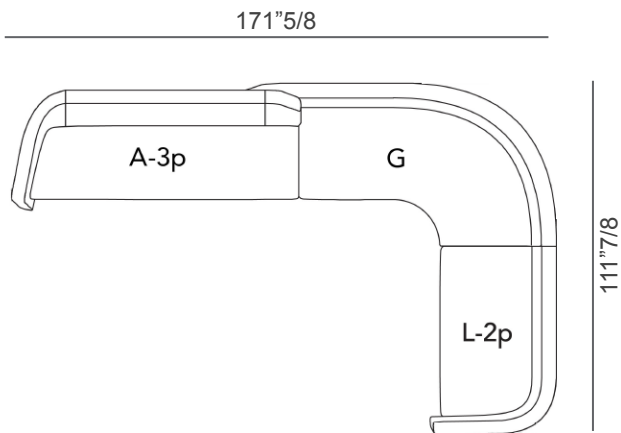
## Stratum

---

### *Suggested compositions*

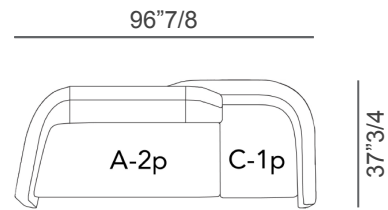
#### Composition 1:

171"5/8W x 111"7/8 D x 30"3/8H



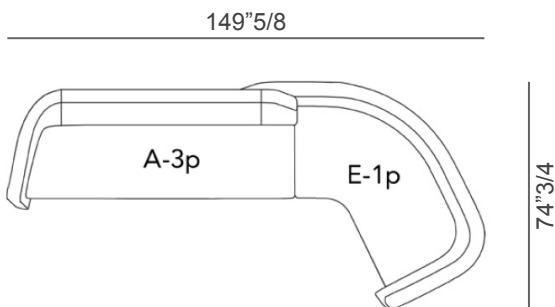
#### Composition 2:

96"7/8W x 37"3/4D x 30"3/8H



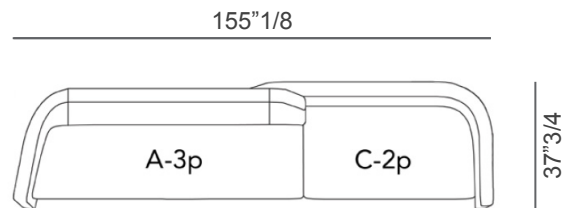
#### Composition 3:

149"5/8D x 74"3/4D x 30"3/8H



#### Composition 4:

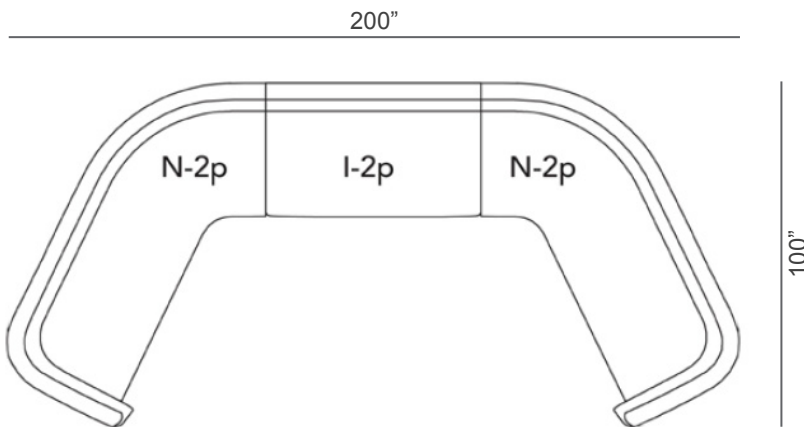
155"1/8W x 37"3/4D x 30"3/8H



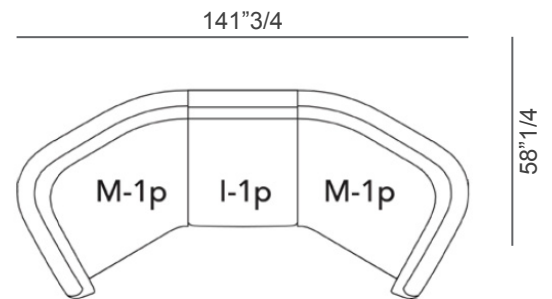
## Stratum

---

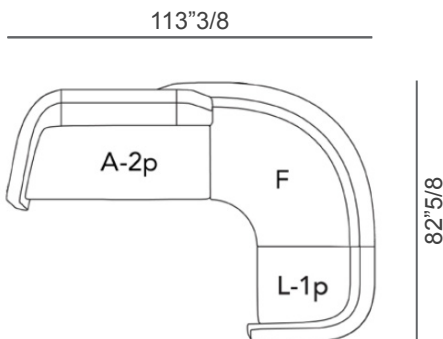
**Composition 5:**  
200"W x 100"D x 26"3/4H



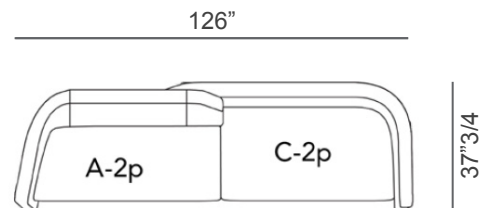
**Composition 6:**  
141"3/4W x 58"1/4D x 26"3/4H



**Composition 7:**  
113"3/8W x 82"5/8D x 30"3/8H

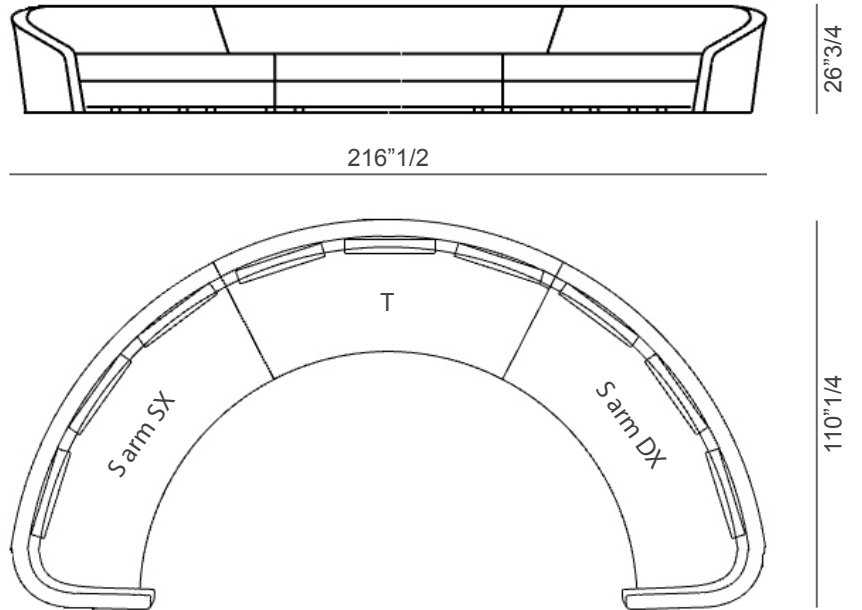


**Composition 8:**  
126"W x 37"3/4D x 30"3/8H

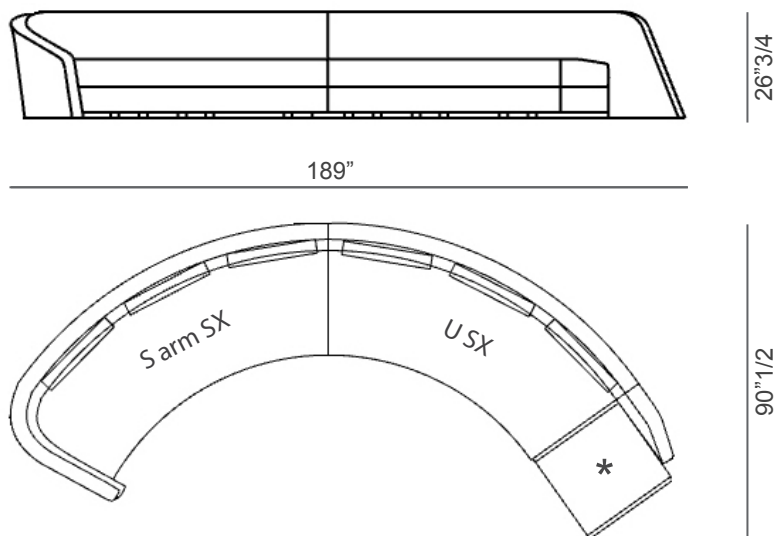


## Stratum

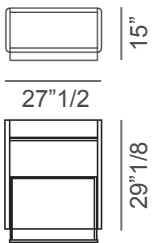
**Composition 10:**  
216"1/2W x 110"1/4D x 26"3/4H



**Composition 11:**  
189"W x 90"1/2D x 26"3/4H

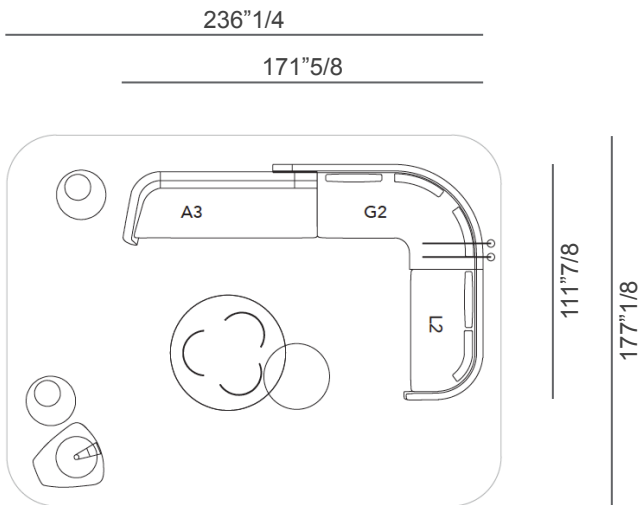


\* Space 40 model E

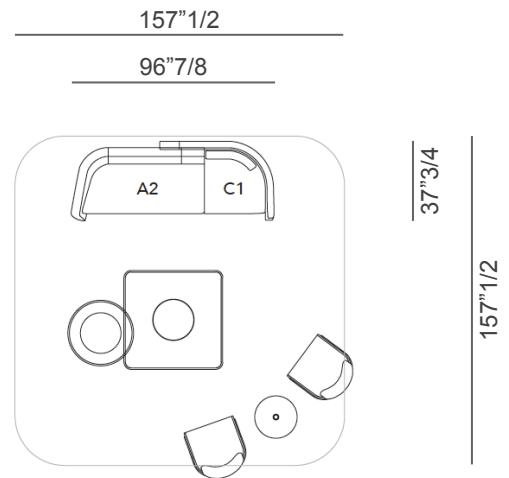


## Stratum

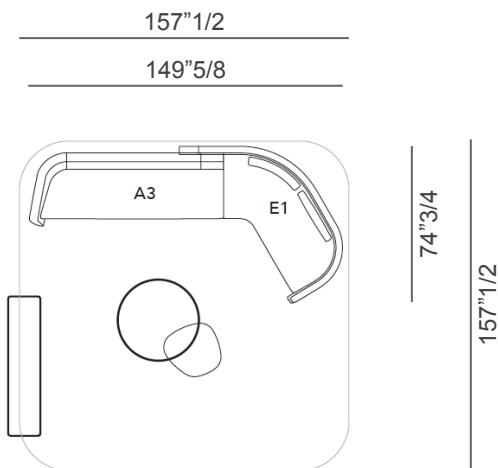
### Example layouts



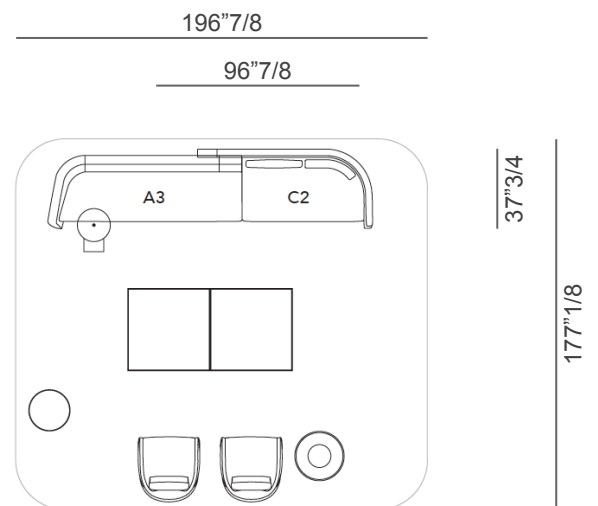
**Composition 1**



**Composition 2**

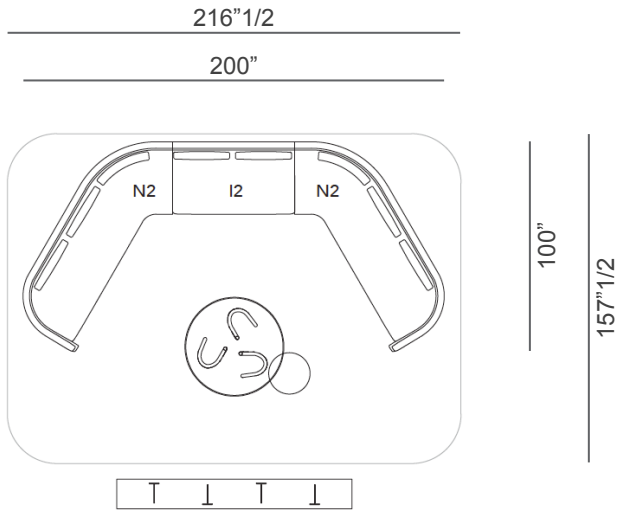


**Composition 3**

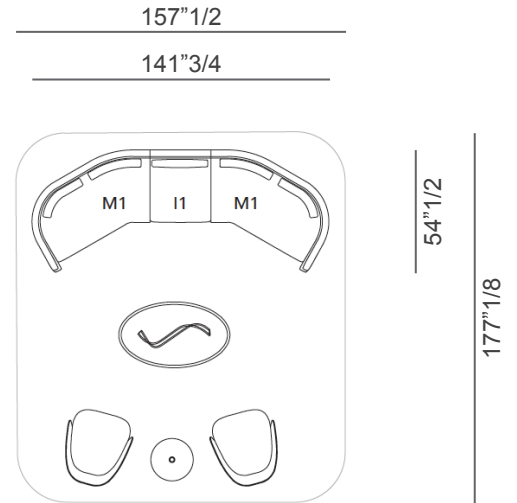


**Composition 4**

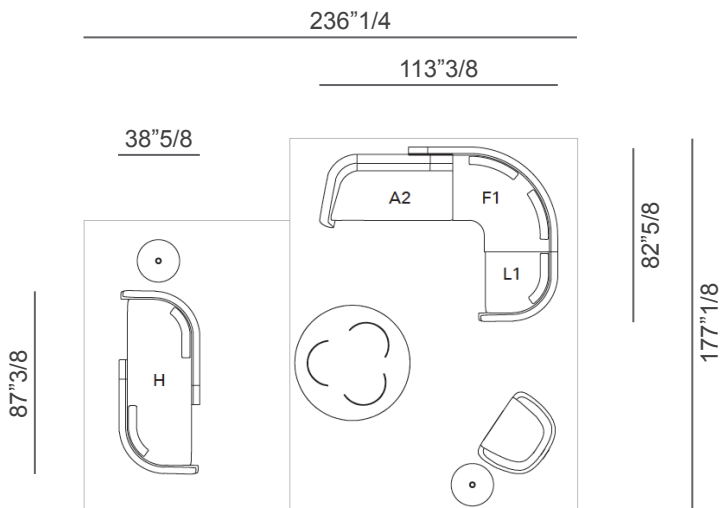
## Stratum



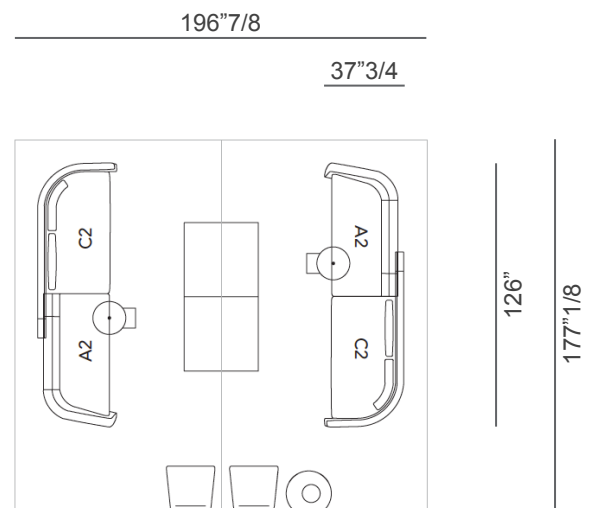
**Composition 5**



**Composition 6**



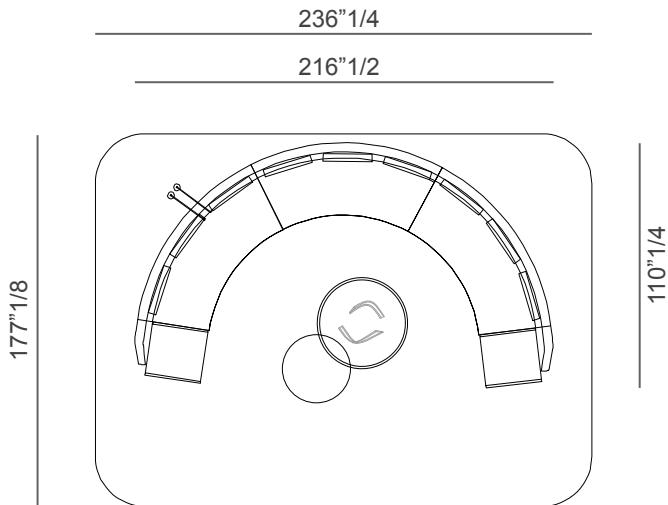
**Composition 7**



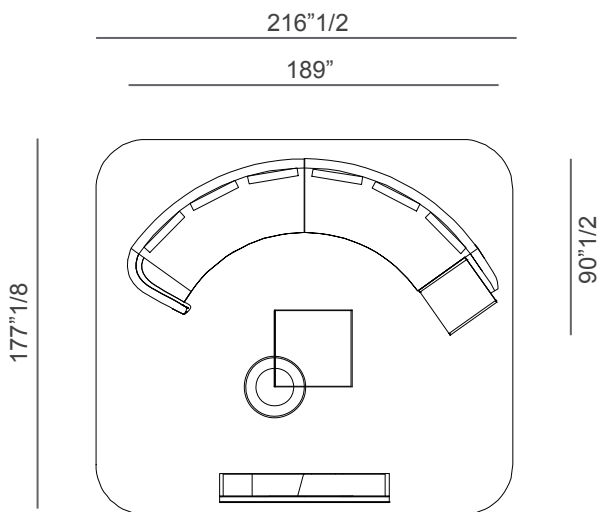
**Composition 8**

## Stratum

---



**Composition 10**



**Composition 11**