

Batista



Description

High-end side and coffee table with cast aluminum structure. Size "A" is also available in cast brass with an applied by hand finish and it also features a top edge detail in polished brass.

Made in Italy.

Dimensions

Side table

A - Round: $\text{Ø}11\frac{7}{8}$ x $19\frac{5}{8}$ H

Coffee table

B - Round: $\text{Ø}17\frac{3}{4}$ x $16\frac{1}{2}$

C - Oval: $31\frac{1}{2}$ W x $13\frac{3}{4}$ D x $16\frac{1}{2}$ H

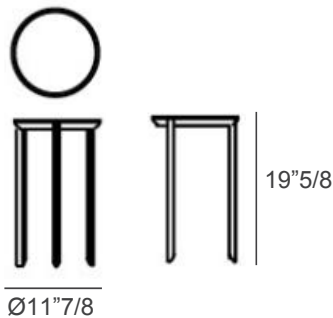


Detail view:
Oval coffee table in cast aluminum, Rame Batista finish..

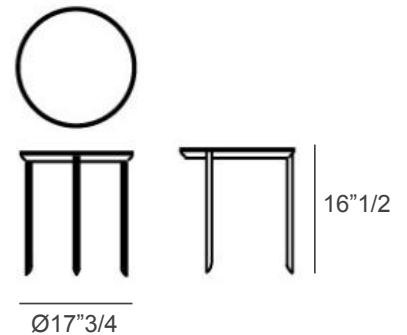


Frontal view:
Round side table in cast aluminum, Black Batista finish.

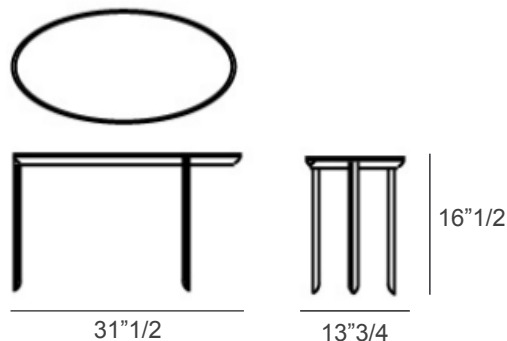
A)



B)



C)



Finishes & Materials

Structure: Cast aluminum or cast brass.