

## *Darius*

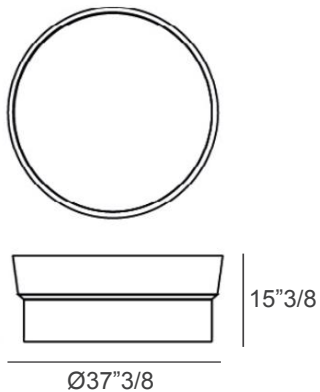


### *Description*

High-end coffee table with structure in cast aluminum and with a top insert that can be made of marble or refined by hand hammered brass.  
Made in Italy.

### *Dimensions*

Ø37"3/8 x 15"3/8H



### *Finishes & Materials*

**Structure:** Cast aluminum.

**Top Insert:** Marble or refined by hand hammered brass.