

Bohemian

Design: Patricia Urquiola



Description

Sofa with cold injected polyurethane with internal structure in resin and wood. Polypropylene glides. The back and seat cushions are filled with goose feathers. Offered in the 2-seater or 3-seater versions with or without 2 back cushions included. Removable leather cover. For the model without back cushions, the following cushions are recommended:

- . 2 cushions 23"5/8 x 23"5/8
- . 1 cushion 20"1/2 x 20"1/2
- . 1 cushion 22"7/8 x 20"1/2
- . 2 cushions 17"3/4 x 15"3/4

Taking on button tufting, giving it a new spin, revolutionizing the concept, Patricia Urquiola has designed a range of products which appear to be liquid in shape as if they are melting over their frame to create soft, comforting, almost casual lines where the fabric or leather are fixed to the shell using press studs. Made in Italy.

Bohemian

Dimensions

2-seater sofa:

90"1/2W x 44"7/8D x 28"3/4H

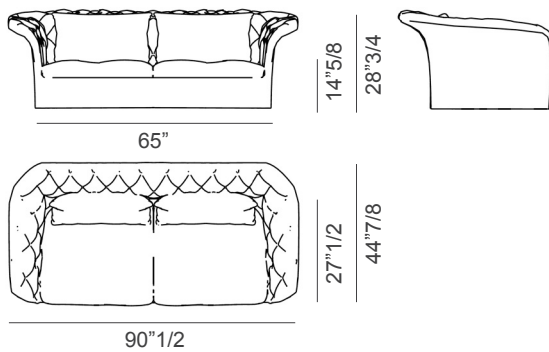
Seat height: 14"5/8

3-seater sofa:

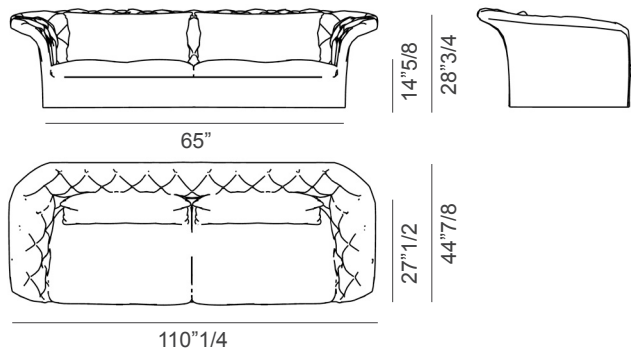
110"1/4W x 44"7/8D x 28"3/4H

Seat height: 14"5/8

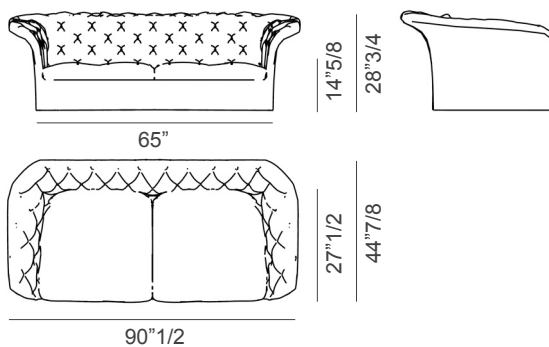
2-seater sofa with 2 back cushions



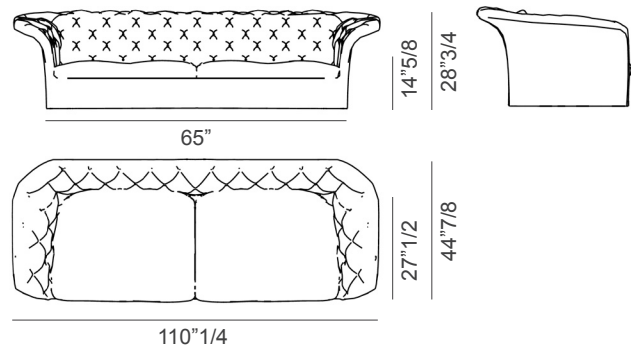
3-seater sofa with 2 back cushions



2-seater sofa without back cushions



3-seater sofa without back cushions



Optional cushions for sofas without back cushions

