

## Gogan

*Design: Patricia Urquiola*



### *Description*

Sectional with wooden structure covered with polyurethane foam in differentiated densities and polyester fiber. Glides in black polypropylene screwed to the structure. The cover, offered in fabric, is removable.

Gogan is the name given to the Japanese stones placed on the banks of rivers and lakes to protect and embellish the shores. The shapes of the Gogan collection, are in fact reminiscent of soft stones sculpted by wind and water, solid but at the same time soft, on which you can lie down.

The seats are soft and irregular and the seat is slightly inclined towards the back; this gives the pieces of the collection extreme comfort and allows the backrest to be kept lower. The backrest and seat are joined by buttresses that give an idea of lightness.

Made in Italy.

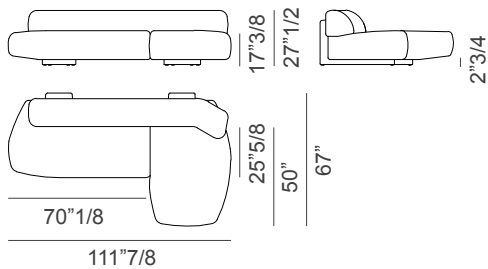
## Gogan

### Dimensions

#### Composition A:

111"7/8W x 67"D x 27"1/2H

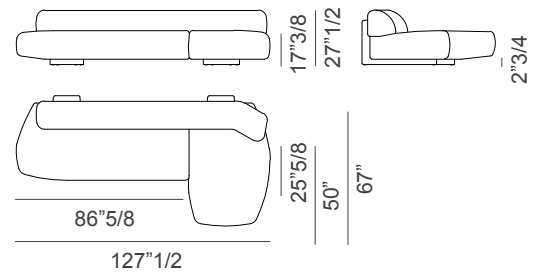
Seat height: 17"3/8



#### Composition B:

127"1/2W x 67"D x 27"1/2H

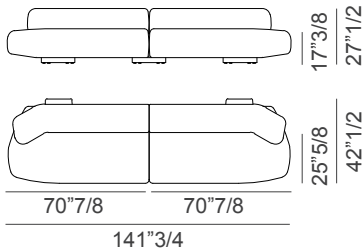
Seat height: 17"3/8



#### Composition C:

141"3/4W x 42"1/2D x 27"1/2H

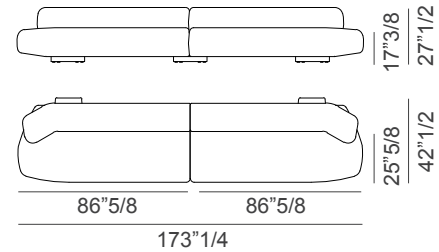
Seat height: 17"3/8



#### Composition D:

173"1/4W x 42"1/2D x 27"1/2H

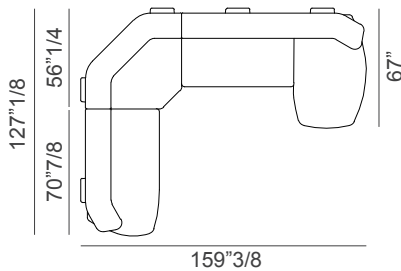
Seat height: 17"3/8



#### Composition E:

159"3/8W x 127"1/8D x 27"1/2H

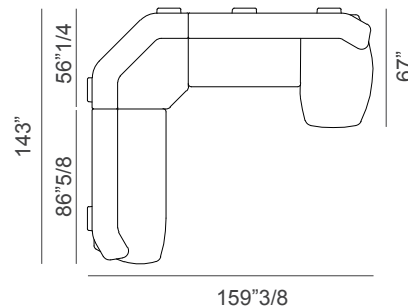
Seat height: 17"3/8



#### Composition F:

159"3/8W x 143"D x 27"1/2H

Seat height: 17"3/8



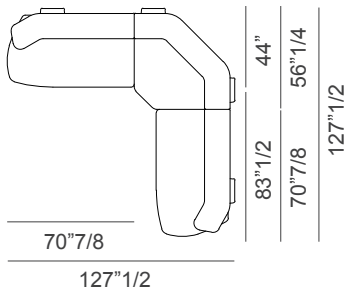
## Gogan

### Dimensions (cont.)

#### Composition G:

127"1/8W x 127"1/8D x 27"1/2H

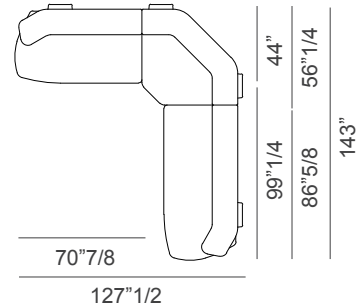
Seat height: 17"3/8



#### Composition H:

127"1/8W x 143"D x 27"1/2H

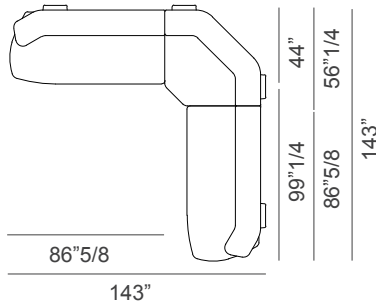
Seat height: 17"3/8



#### Composition I:

143"W x 143"D x 27"1/2H

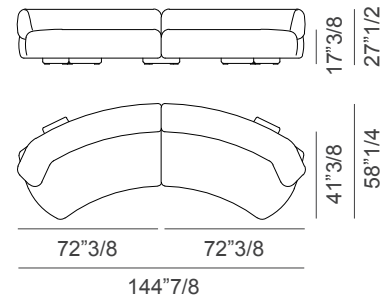
Seat height: 17"3/8



#### Composition J:

144"7/8W x 58"1/4D x 27"1/2H

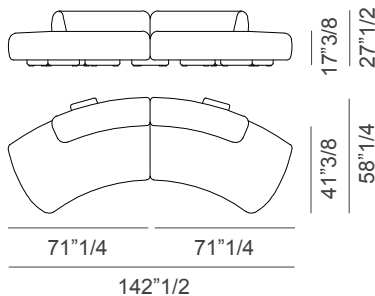
Seat height: 17"3/8



#### Composition K:

142"1/2W x 58"1/4D x 27"1/2H

Seat height: 17"3/8



#### Composition L:

143"7/8W x 58"1/4D x 27"1/2H

Seat height: 17"3/8

