

Gruuve

Design: Patricia Urquiola



Description

Sofa with base in Polimex® and padding in flexible polyurethane with variable density. The cover is offered in a wide range of fabric options. Perfect for using each module alone or combined with each other.

Gruuve captures the spirit of the 1970s, giving a contemporary twist to the non-conformist idea of a sofa that can be assembled at will. With the fluid, irregular lines of its four modules, the collection conveys a sense of dynamism to the room and gives its design an unexpected flexibility.

Placed in the centre of the living area to create a unique maze of convivial spaces, Gruuve becomes the star of both domestic and public spaces thanks to its charismatic design. Made in Italy.

Gruuve

Dimensions

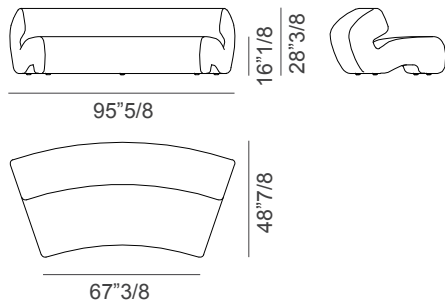
Open corner A: 95"5/8W x 48"7/8D x 28"3/8H
Seat height: 16"1/8

Open corner B: 119"5/8W x 52"3/8D x 28"3/8H
Seat height: 16"1/8

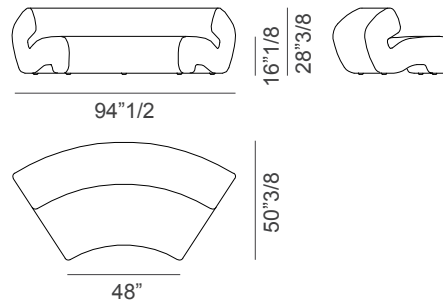
Closed corner C: 94"1/2W x 50"3/8D x 28"3/8H
Seat height: 16"1/8

Closed corner D: 123"1/4W x 55"7/8D x 28"3/8H
Seat height: 16"1/8

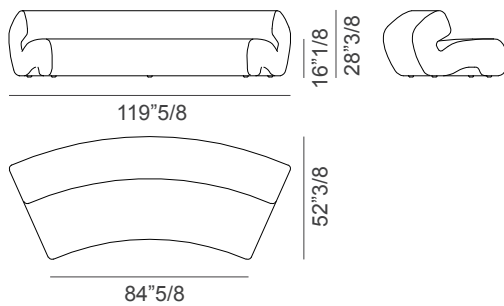
Open corner A



Closed corner C



Open corner B



Closed corner D

