

Pacific

Design: Patricia Urquiola



Description

Sofa with wooden and steel structure covered with polyurethane foam with differentiated densities, cold injected polyurethane, and polyester fiber. Seat cushions in polyurethane foam and polyester fiber. Glides in black polypropylene. Fabric cover. Optional ottoman with wooden structure covered with polyurethane foam with differentiated density. Glides in black polypropylene.

The Pacific collection creates intimacy in the almost “protective” seat, for an enveloping idea of comfortable relaxation. With its round and oversized shapes, it evokes the relaxed and laid-back atmospheres of the American West Coast, from which it takes its name. The soft shapes are enhanced and defined by the total absence of sharp edges and by the “couture” details.

Made in Italy.

Pacific

Dimensions

2 seater sofa:

98"3/8W x 47"1/4D x 30"3/8H

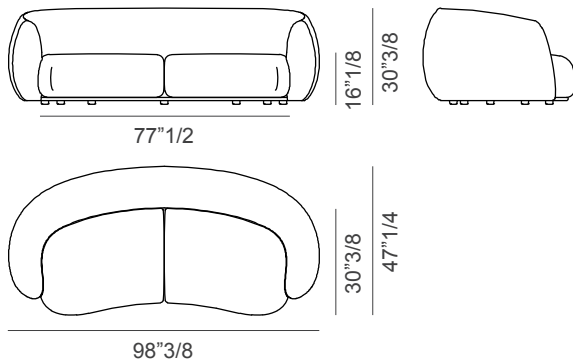
Seat height: 16"1/8

3 seater sofa:

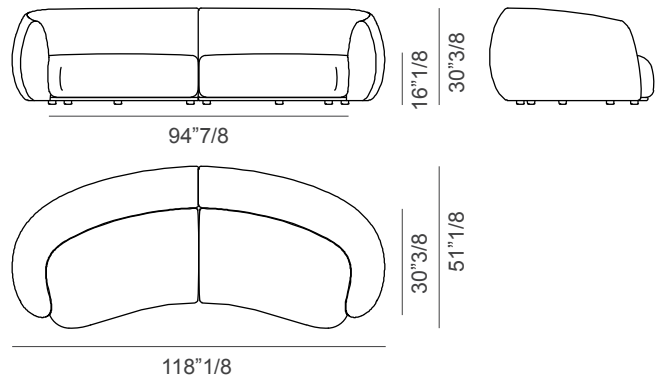
118"1/8W x 51"1/8D x 30"3/8H

Seat height: 16"1/8

2 seater sofa



3 seater sofa



Optional ottoman

