

## Roma

*Design: Monica Armani*



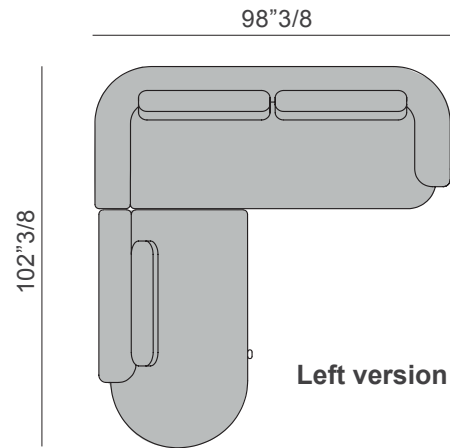
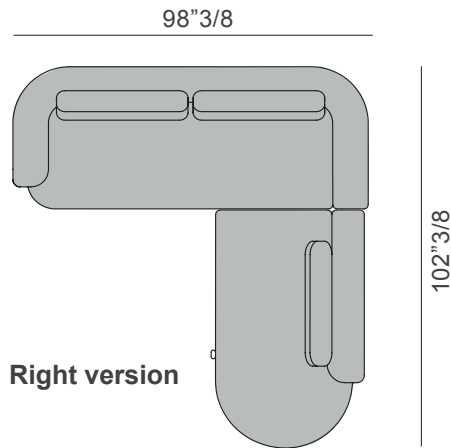
### *Description*

Sectional with structure in metal and curved plywood. Padded with polyurethane foam in different densities. Pre-upholstery: polyester wadding. Non-removable upholstery in fabric or leather. Metal legs in champagne gold or graphite grey finish. Backrest cushions included. Decorative cushions available on demand. Made in Italy.

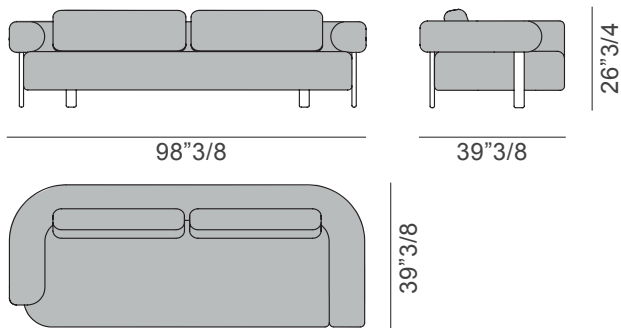
## Roma

### *Suggested compositions*

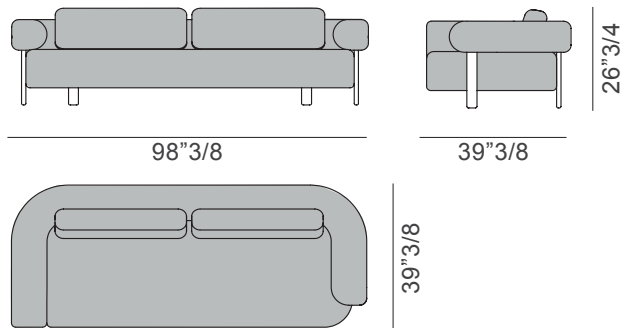
A: 98"3/8W x 102"3/8D x 26"3/4H



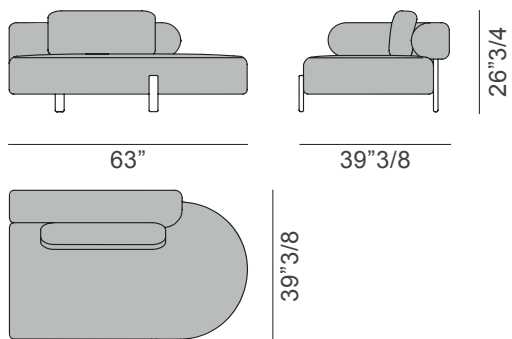
*Three seaters terminal element with left corner unit*



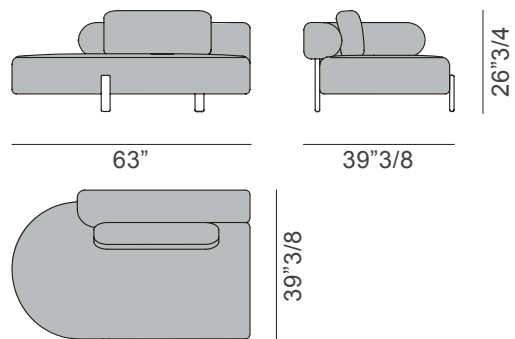
*Three seaters terminal element with right corner unit*



*Right peninsula end unit*

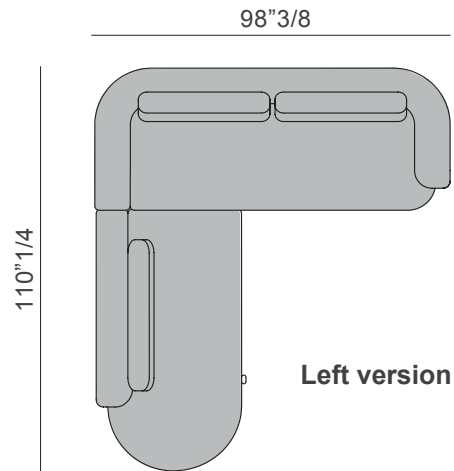
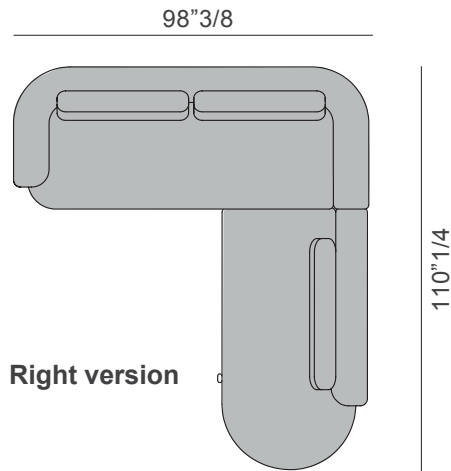


*Left peninsula end unit*

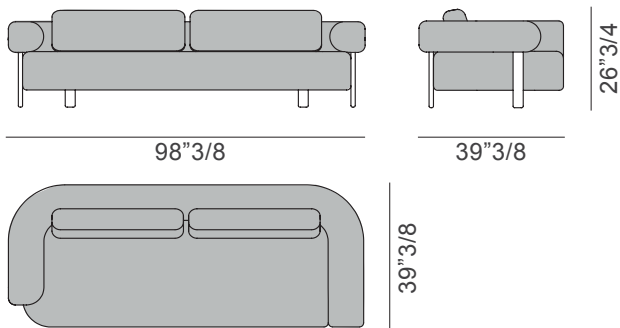


## Roma

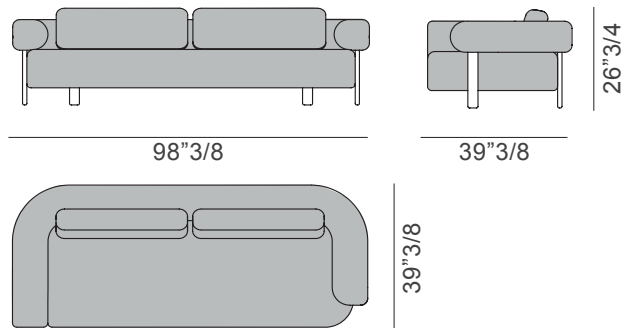
**B:** 98"3/8W x 110"1/4D x 26"3/4H



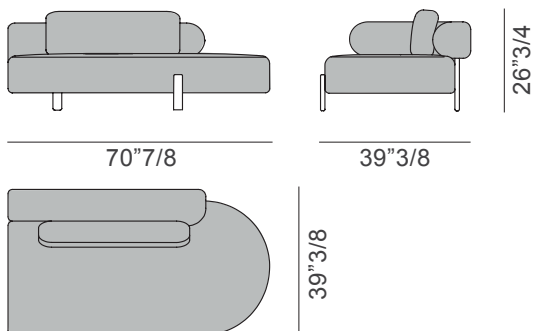
*Three seaters terminal element with left corner unit*



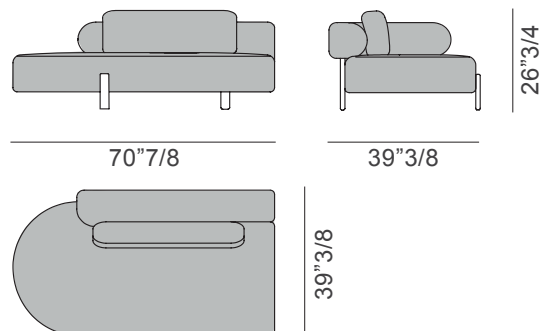
*Three seaters terminal element with right corner unit*



*Right peninsula end unit*

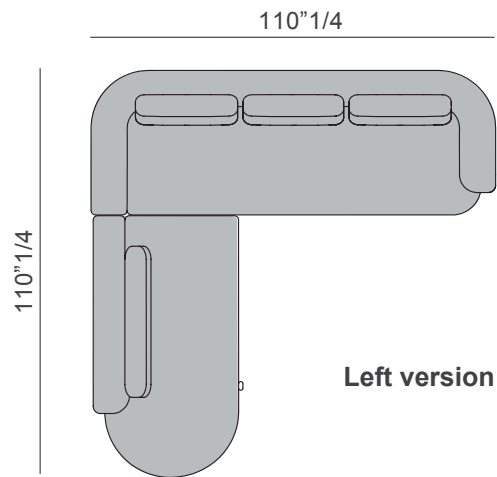
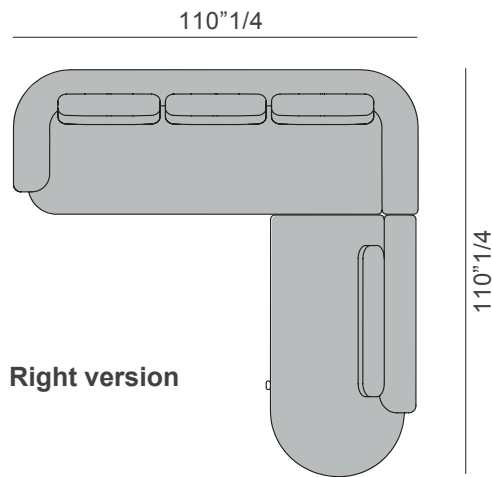


*Left peninsula end unit*

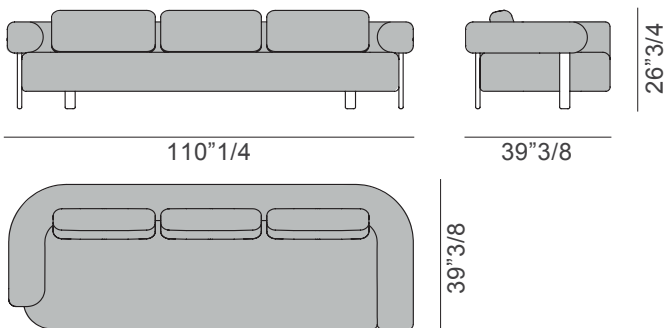


## Roma

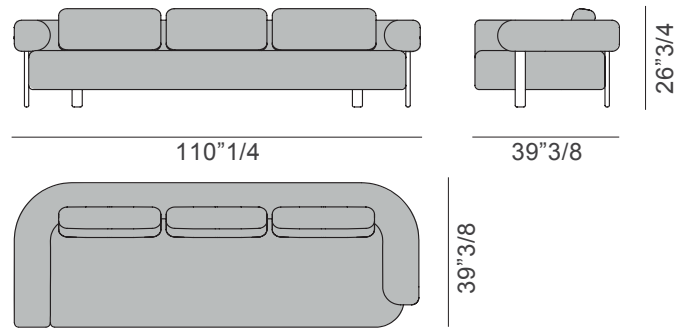
C: 110"1/4W x 110"1/4D x 26"3/4H



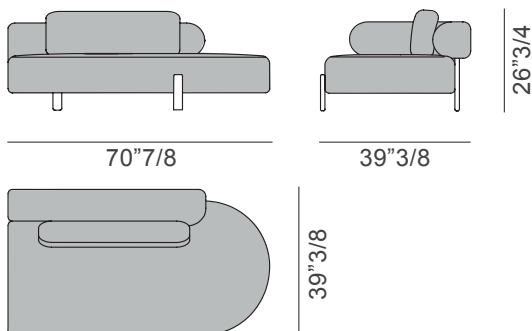
Four seaters terminal element with left corner unit



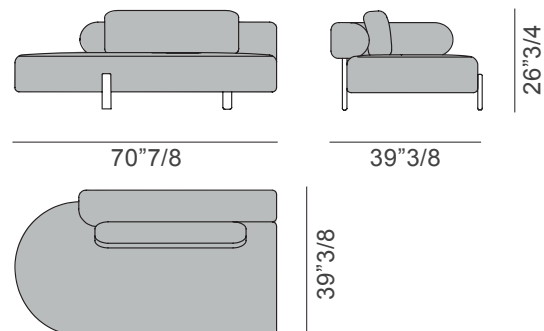
Four seaters terminal element with right corner unit



Right peninsula end unit

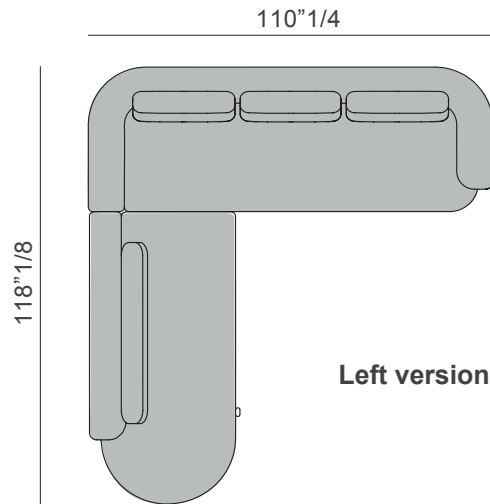
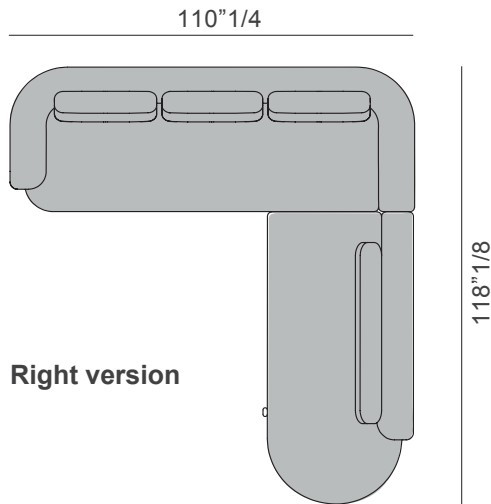


Left peninsula end unit

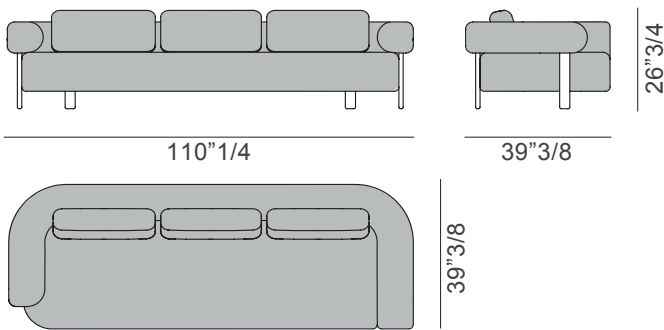


## Roma

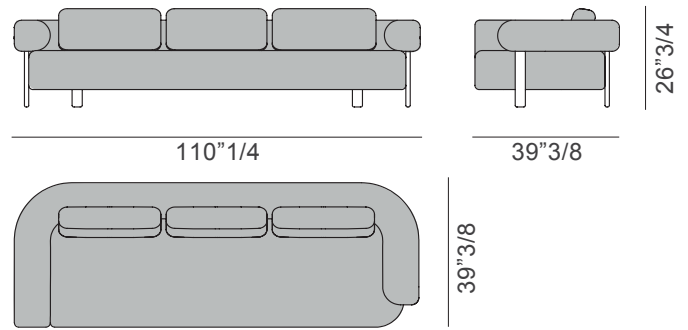
D: 110"1/4W x 118"1/8D x 26"3/4H



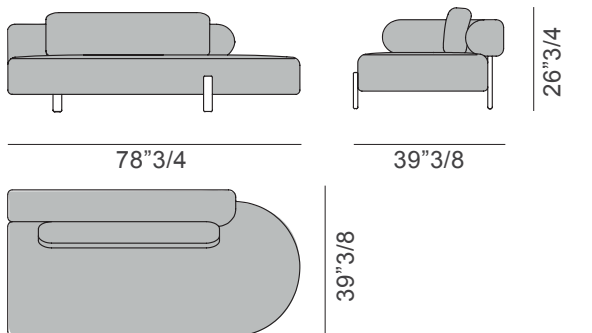
*Four seaters terminal element with left corner unit*



*Four seaters terminal element with right corner unit*



*Right peninsula end unit*



*Left peninsula end unit*

