

Flag

Design: Ruga Perissinotto



Description

Flag is a bed with a contemporary taste, combining the simplicity of its shapes with the refinement of its sartorial quality details. This project is born from the need to use harmoniously two noble materials such as wood and fabric, and is completed with brass accessories designed to favor the combination with different types of upholsteries. Non removable cover. Orthopaedic slatted base included. Mattress & cushions not included.

Made in Italy.

Finishes & Materials

Cover: Fabric.

Legs: Wood.

Optional tray: Metal.

Flag

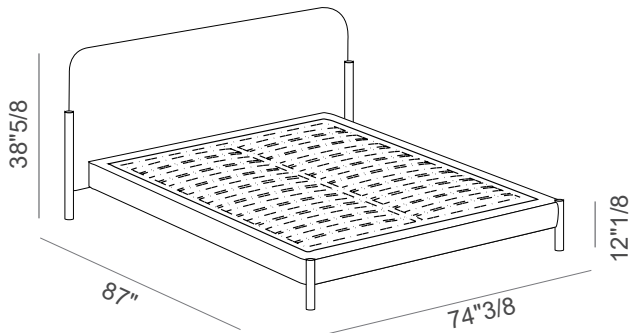
Dimensions

Queen Size

74"3/8W x 87"D x 38"5/8H

(To fit American Queen Size mattress: 60" x 80")

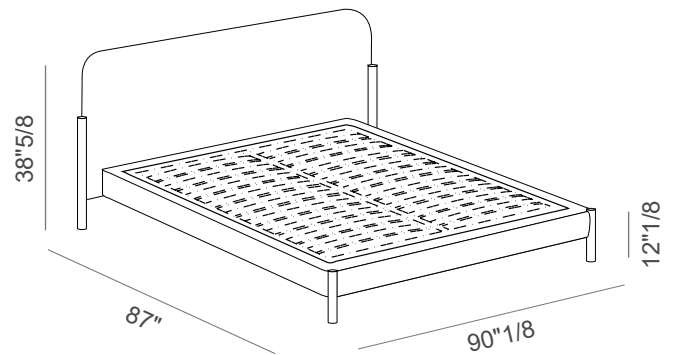
Flag standard



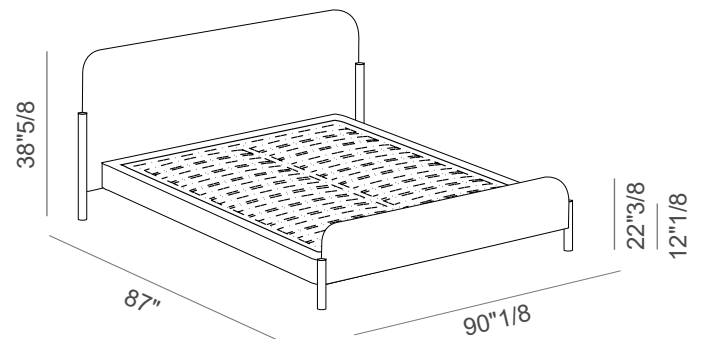
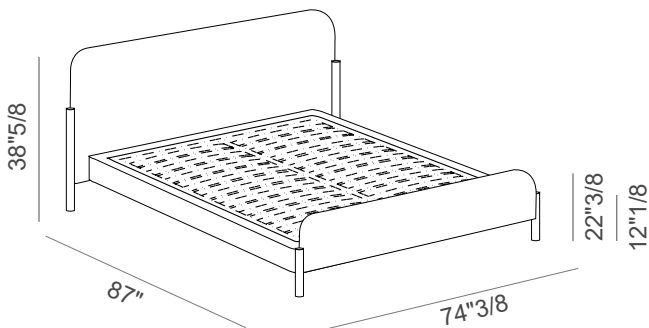
King Size

90"1/8W x 87"D x 38"5/8H

(To fit American King Size mattress: 76"3/4 x 80")



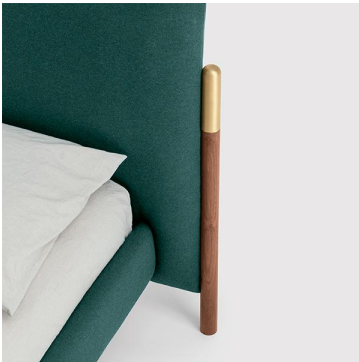
Flag footboard



Flag

Accessories

Cap



1 tray



2 trays

