

## M.a.s.s.a.s

*Design: Patricia Urquiola*



### *Description*

Sectional with seats with wooden structure covered with polyurethane foam in differentiated densities and polyester fiber. Armrests in cold injected polyurethane with an internal steel frame. The M.A.S.S.A.S. collection fabric covers are removable. The fabrics used for this collection are bonded with polyester fiber and polyurethane to provide special support to the upholstery. The compositions A20, A30, B10, C10, C20, C40, C50, C60 and D10 have at least one side pocket.

Blunt blocks rounded and smoothed by some imaginary blade. Geometric order is broken, swept away by a movement, a line which follows the contour. The different faces reveal veins formed by stitching, at times as visible as tacking, at others disappearing. The outer shape seems to be independent from the inner frame and padding. Made in Italy.

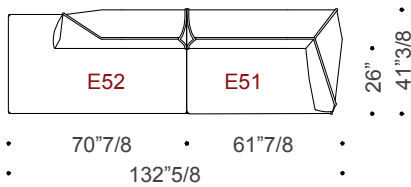
## M.a.s.s.a.s

### Dimensions

#### Composition A20:

132"5/8W x 41"3/8D x 27"1/2H

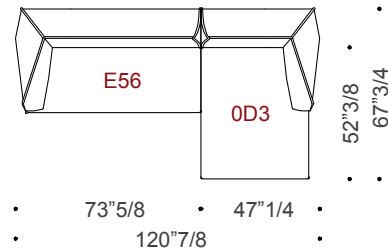
Seat height: 15"3/4



#### Composition A30:

120"7/8W x 67"3/4D x 27"1/2H

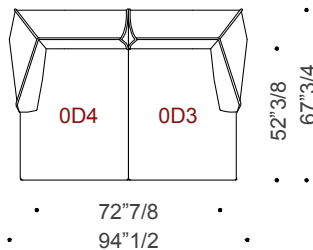
Seat height: 15"3/4



#### Composition A40:

94"1/2W x 67"3/4D x 27"1/2H

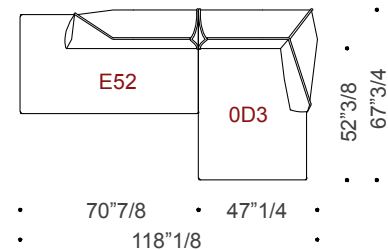
Seat height: 15"3/4



#### Composition A50:

118"1/8W x 67"3/4D x 27"1/2H

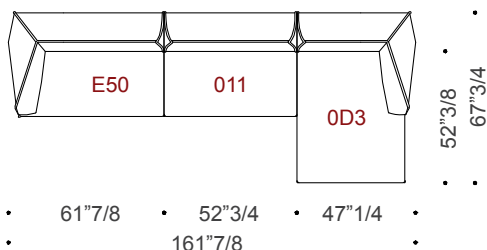
Seat height: 15"3/4



#### Composition B10:

161"7/8W x 67"3/4D x 27"1/2H

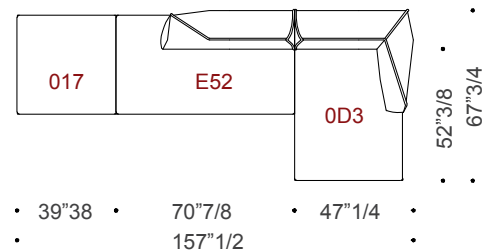
Seat height: 15"3/4



#### Composition B20:

157"1/2W x 67"3/4D x 27"1/2H

Seat height: 15"3/4



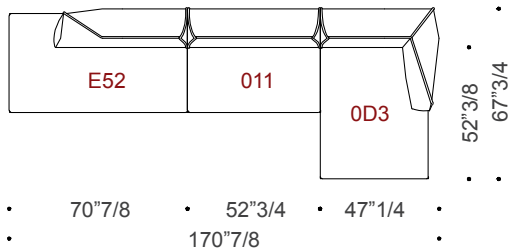
## M.a.s.s.a.s

### Dimensions (cont.)

#### Composition B30:

170"7/8W x 67"3/4D x 27"1/2H

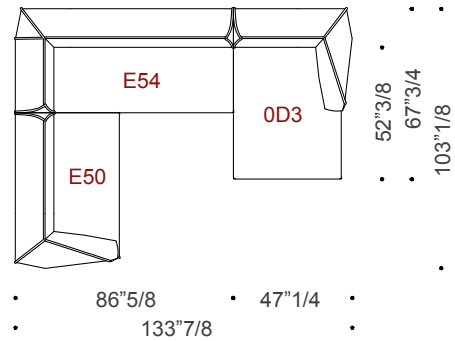
Seat height: 15"3/4



#### Composition C10:

133"7/8W x 103"1/8D x 27"1/2H

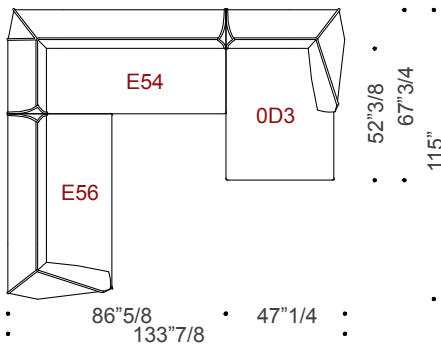
Seat height: 15"3/4



#### Composition C20:

133"7/8W x 115"D x 27"1/2H

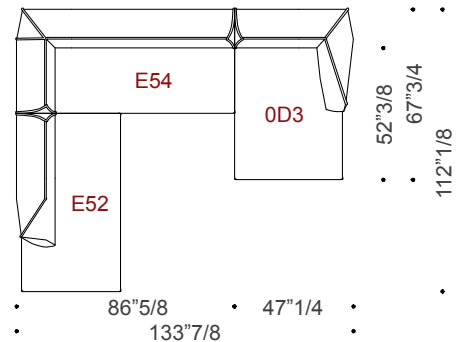
Seat height: 15"3/4



#### Composition C30:

133"7/8W x 112"1/8D x 27"1/2H

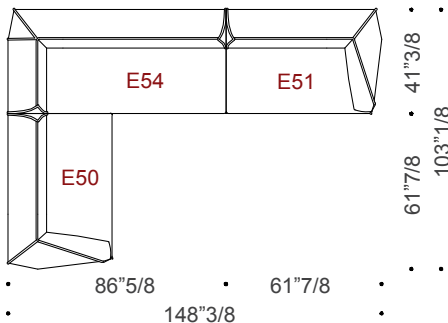
Seat height: 15"3/4



#### Composition C40:

148"3/8W x 103"1/8D x 27"1/2H

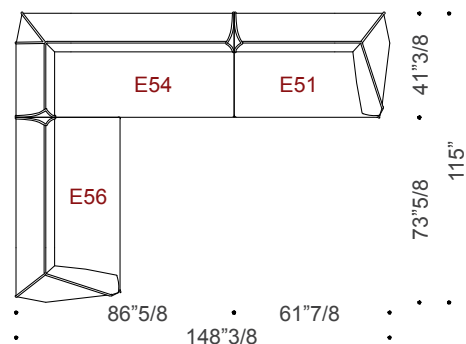
Seat height: 15"3/4



#### Composition C50:

148"3/8W x 115"D x 27"1/2H

Seat height: 15"3/4



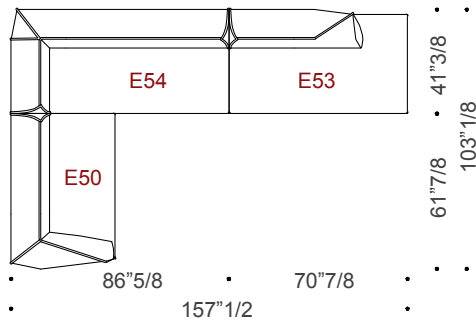
## M.a.s.s.a.s

### Dimensions (cont.)

#### Composition C60:

157"1/2W x 103"1/8D x 27"1/2H

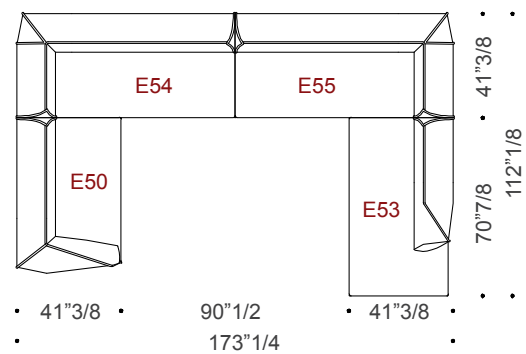
Seat height: 15"3/4



#### Composition D10:

127"1/8W x 143"D x 27"1/2H

Seat height: 15"3/4



#### Optional ottoman

