

Pebble Rubble

Design: Front Design



Description

Pebble Rubble design conveys a message that transcends the functions and qualities of a common seat. The most evident characteristic is the similarity of the upholstered volumes to those massive rocks, polished by the tireless rain and wind and cloaked by an organic or plant layer capable of softening its roughness and making the surfaces comfortable and welcoming.

A scenic installation that doesn't stop at simply simulating, but rests on a lengthy research during which the designers investigated the therapeutic benefits that nature has on people's physical and mental health, as well as the cultural and psychological significance of natural environments, in particular those found in the designers' native Sweden.

These sectionals are composed of elements in polyurethane foam with differentiated density, covered with polyester fiber and with internal wooden structure. Backrests made with a lightweight composite structure in polymeric materials and polyurethane foam with a wooden base. Glides in black polypropylene screwed to the structure. The elements are joined together by a connecting device. The covers of this collection are offered in fabric and are not removable.

Optional ottomans: Seat made with a lightweight composite structure in polymeric materials and polyurethane foam with a wooden base. Lower cover made of recyclable PVC. Black polypropylene feet with felt glides. Made in Italy.

Pebble Rubble

*Element B1 must always be included in a composition, it is not freestanding element

Dimensions – SH: 16”1/2

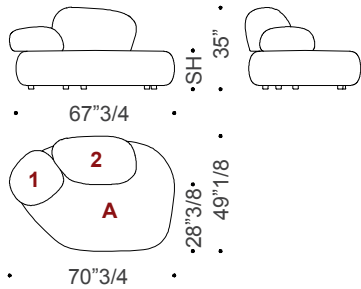
Composition A1 + B1: A1: 70”3/4W x 49”1/8D x 35”H + B1*: 104”W x 62”1/8D x 31”H

Composition A2 + B1: A2: 70”W x 50”D x 35”H + B1*: 104”W x 62”1/8D x 31”H

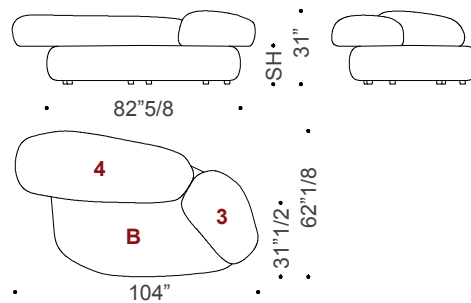
Composition A3 + B1: A3: 70”1/2W x 55”1/8D x 31”H + B1*: 104”W x 62”1/8D x 31”H

*Element B1 must always be included in a composition, it is not freestanding element.

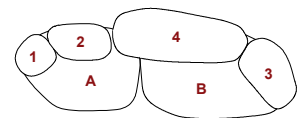
A1



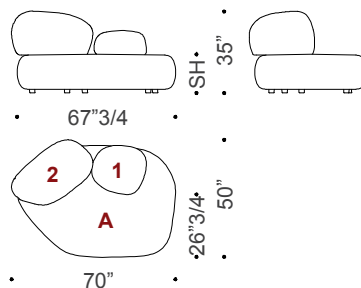
B1



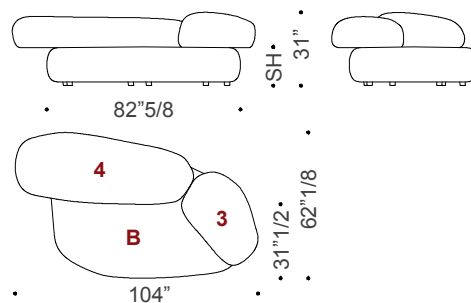
A1 + B1



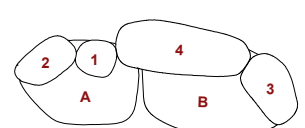
A2



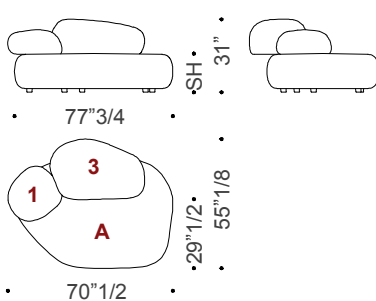
B1



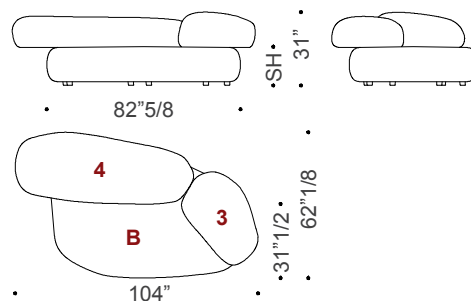
A2 + B1



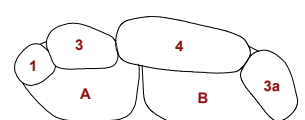
A3



B1



A3 + B1



Pebble Rubble

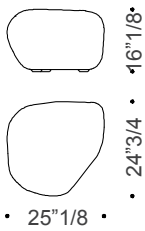
Optionals – SH: 16"1/2

Small ottoman: 25"1/8W x 24"3/4D x 16"1/8H

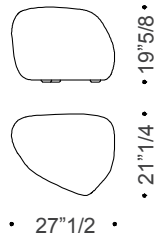
Medium ottoman: 27"1/2W x 21"1/4D x 19"5/8H

Large ottoman: 40"1/8W x 33"1/2D x 14"1/8H

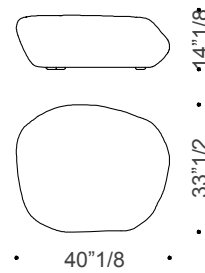
Small ottoman



Medium ottoman



Large ottoman



Decorative cushions

