

## Salon Nanà

*Design: Annabel Karim Kassar*



### *Description*

2 seater or 3 seater sofa that combines a generous silhouette, the unique comfort of large feather cushions, with a wide range of welcoming fabrics. It features a wooden structure covered with polyurethane foam and polyester fiber. Seat cushions are filled with goose feathers with a polyurethane foam insert. Back cushions are filled with polyester fiber. Solid beech feet stained and screwed to the structure. Salon Nanà covers are removable. Optimal ottoman and cushions are available.

The Salon Nanà collection was born from the collaboration with the French-Lebanese architect Annabel Karim Kassar. So called to evoke convivial atmospheres like those literary ones of the late nineteenth century, it includes a flexible and modular sofa system capable of adapting to different situations and two different models of coffee tables, inspired by the Moroccan tradition. Made in Italy.

## Salon Nanà

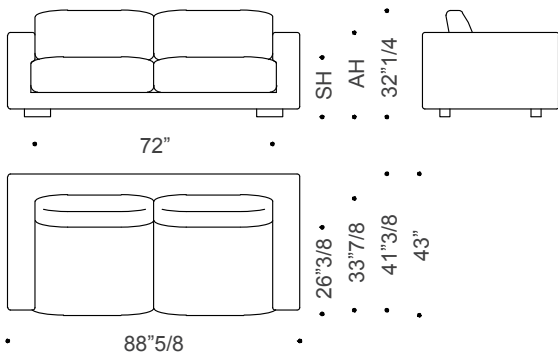
### Dimensions

**2 seater sofa A:** 88"5/8W x 43"D x 32"1/4H  
**2 seater sofa B:** 102"3/4W x 43"D x 32"1/4H

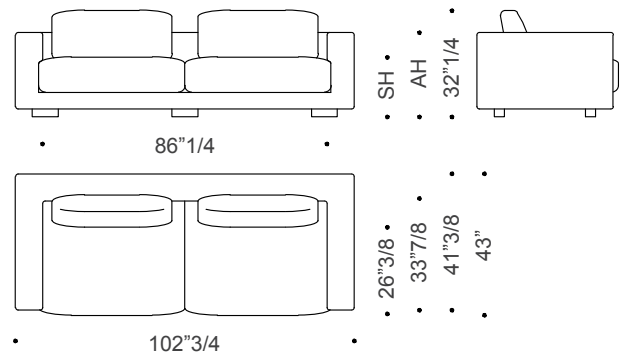
**3 seater sofa:** 124"3/4W x 43"D x 32"1/4H  
**Optional ottoman:** 37"3/8W x 26"3/8D x 14"5/8H

**SH:** 18"1/8 | **AH:** 25"5/8

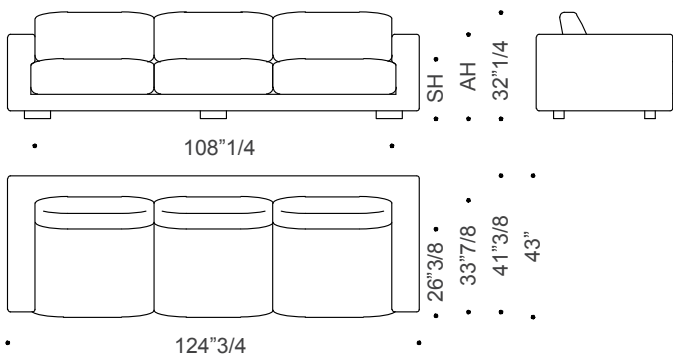
2 seater sofa A



2 seater sofa B



3 seater sofa



Optional ottoman

