

Freedom

Design: Bolzan LAB



Description

A re-invented classic in the sign of stylistic wisdom and tailoring care for details. Freedom symbolizes the contemporary simplicity of its lines, with the prestige and the comfort of its capitonné headboard. The seams at sight of its cover express a handicraft value and contribute creating a captivating appearance. Firwood structure. Orthopaedic slatted base included. Mattress and cushions NOT included.

Made in Italy.

Finishes & Materials

Headboard & bed base: Fabric.

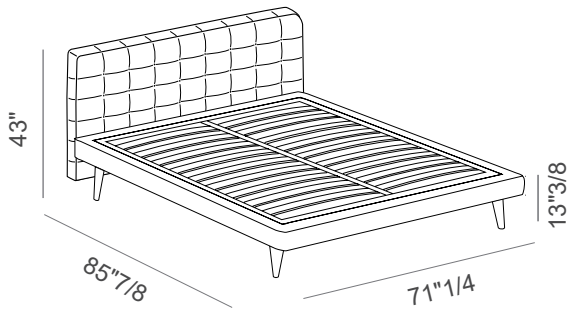
Freedom

Dimensions

Queen Size 3"1/2H Base - 43"H Headboard

71"1/4W x 85"7/8D x 43"H

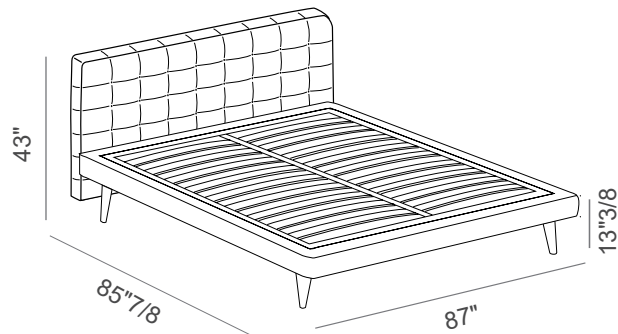
(To fit American Queen Size mattress: 60" x 80")



King Size 3"1/2H Base - 43"H Headboard

87"W x 85"7/8D x 43"H

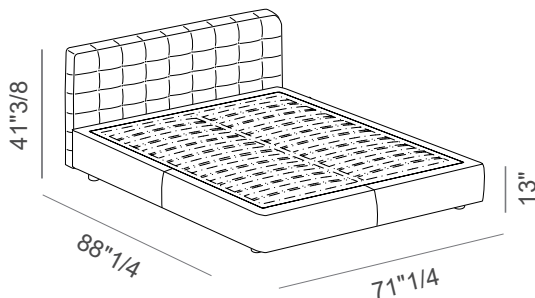
(To fit American King Size mattress: 76"3/4 x 80")



Queen Size 11"3/8H Base - 41"3/8H Headboard

71"1/4W x 88"1/4D x 41"3/8H

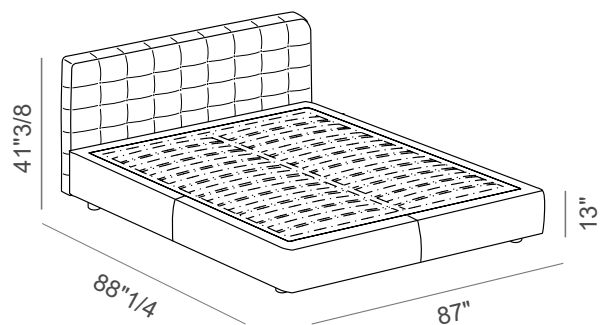
(To fit American Queen Size mattress: 60" x 80")



King Size 11"3/8H Base - 41"3/8H Headboard

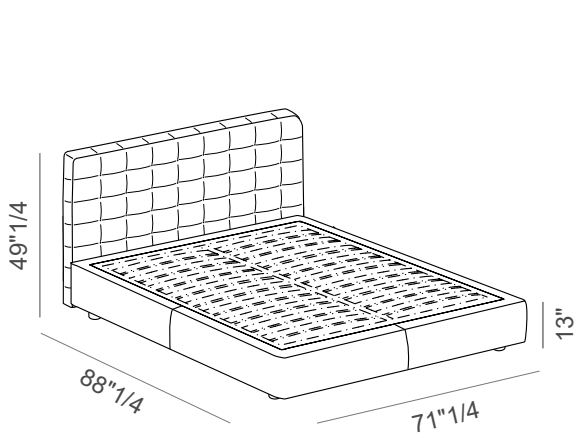
87"W x 88"1/4D x 41"3/8H

(To fit American King Size mattress: 76"3/4 x 80")

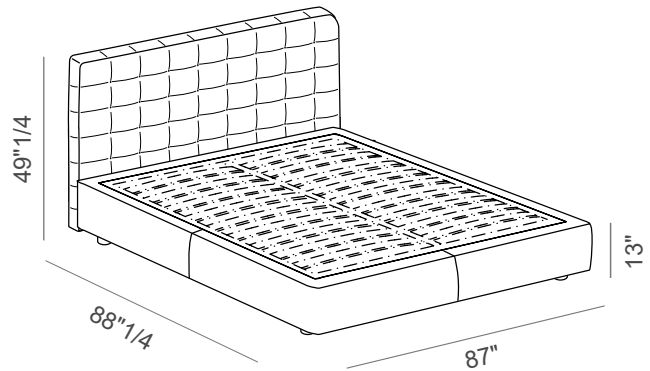


Freedom

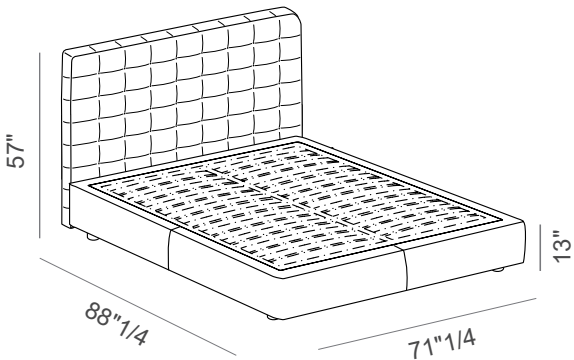
Queen Size 11"3/8H Base - 49"1/4H Headboard
71"1/4W x 88"1/4D x 49"1/4H
(To fit American Queen Size mattress: 60" x 80")



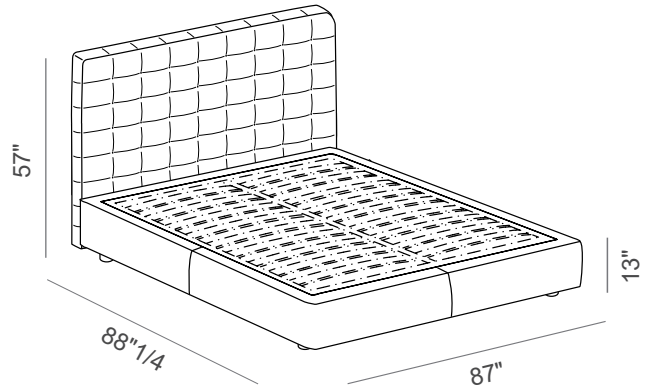
King Size 11"3/8H Base - 49"1/4H Headboard
87"W x 88"1/4D x 49"1/4H
(To fit American King Size mattress: 76"3/4 x 80")



Queen Size 11"3/8H Base - 57"H Headboard
71"1/4W x 88"1/4D x 57"H
(To fit American Queen Size mattress: 60" x 80")



King Size 11"3/8H Base - 57"H Headboard
87"W x 88"1/4D x 57"H
(To fit American King Size mattress: 76" 3/4 x 80")



Freedom

Available feet



10"1/4



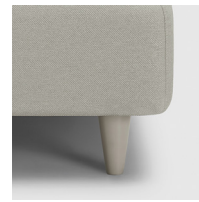
10"1/4



1"5/8H



3"1/2H



5"H