

Metropolitan

Design: Bolzan LAB



Description

Rigorous lines conforming to every location and context, soft surfaces generating a sense of relax and warmth. The elegant Metropolitan bed is an essential project adjustable to multiple interpretations, thanks to the possibility to choose different bedbases and supports, maintaining its own stylistic character. Firwood structure. Orthopaedic slatted base included. Removable cover. Mattress and cushions NOT included.

Made in Italy.

Finishes & Materials

Cover: Fabric.

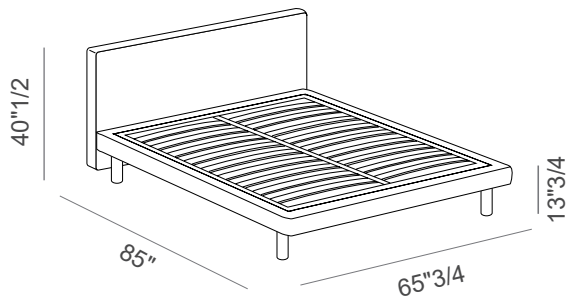
Metropolitan

Dimensions

Queen Size 3"1/2H Base

65"3/4W x 85"D x 40"1/2H

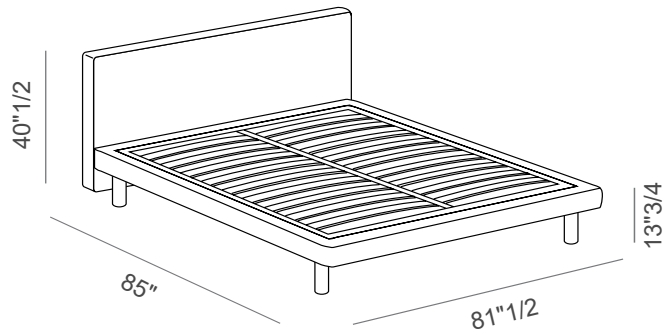
(To fit American Queen Size mattress: 60" x 80")



King Size 3"1/2H Base

81"1/2W x 85"D x 40"1/2H

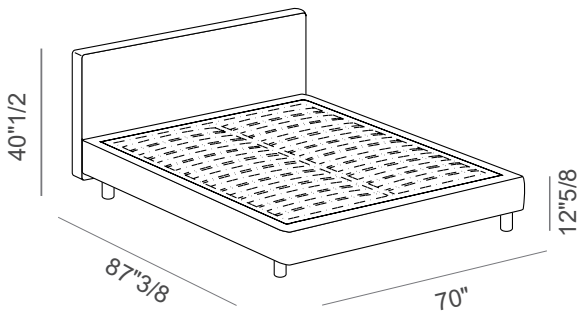
(To fit American King Size mattress: 76"3/4 x 80")



Queen Size 7"7/8 Base

70"W x 87"3/8D x 40"1/2H

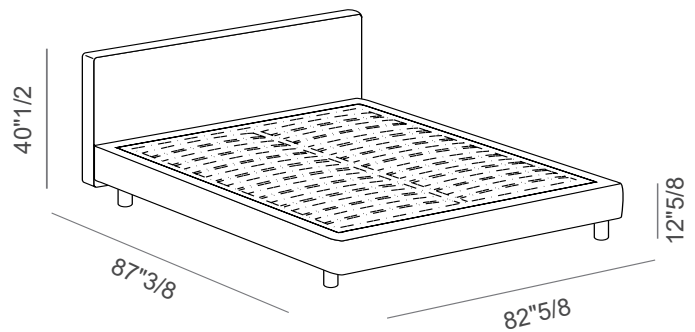
(To fit American Queen Size mattress: 60" x 80")



King Size 7"7/8 Base

82"5/8W x 87"3/8D x 40"1/2H

(To fit American King Size mattress: 76"3/4 x 80")

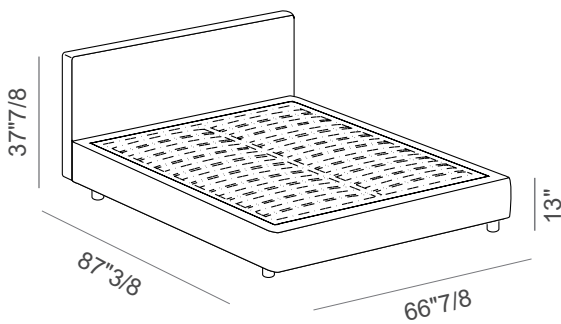


Metropolitan

Queen Size 11"3/8 Base

66"7/8W x 87"3/8D x 37"7/8H

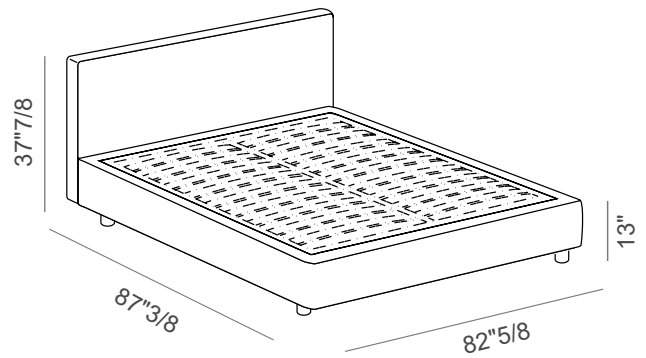
(To fit American Queen Size mattress: 60" x 80")



King Size 11"3/8 Base

82"5/8W x 87"3/8D x 37"7/8H

(To fit American King Size mattress: 76"3/4 x 80")



Available feet



10"1/4



5"7/8



1"5/8H



3"1/2H



5"H

Metropolitan
