

Millennium

Design: Dondoli & Pucci



Description

The Millennium table is a high-end design masterpiece that enhances any space with its presence. Its distinctive silhouette, combines elegance and strength, making it a statement piece in both contemporary and classic interiors. Its practical extension mechanism allows the table to expand, revealing neatly folded leaves for a quick transformation into a larger surface.

The sleek legs add a dynamic touch, supporting a top that is available in a variety of finishes and shapes, allowing for customization to suit diverse styles and preferences.

The Millennium not only serves as a functional dining table but also as a centerpiece that elevates the aesthetic of the room, embodying a perfect balance between innovation and timeless design. Made in Italy.

Finishes & Materials

Top: Glossy Lacquered Glass, Matt Velvet Anti-Scratch Lacquered Glass, SuperCeramic and Matt or Glossy SuperMarble.

Extension: Matt Lacquered Wood, Matt or Glossy SuperMarble.

Frame: Lacquered Metal.

Please note: The vein of SuperMarble extensions is not pattern matched

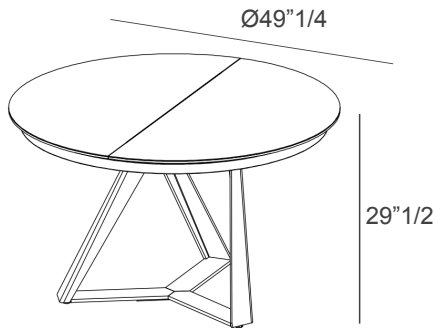
Millennium

Dimensions

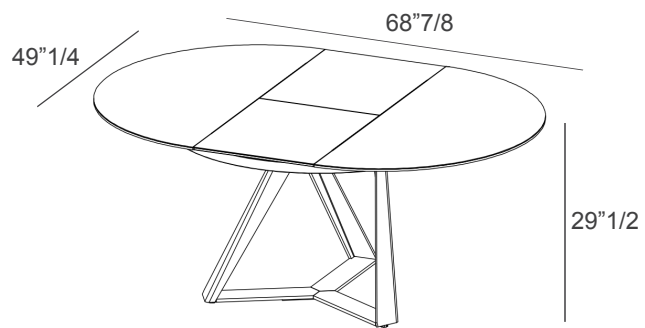
Closed: Ø49"1/4W x 29"1/2H

Open: 68"7/8W x 49"1/4D x 29"1/2H

- Cod. 52.87



Closed



Open