

Alexander

Design: Marco Piva



Description

The luxury Alexander table draws inspiration from the eponymous square in Berlin, one of Europe's earliest railway hubs. Much like railway junctions, the table's legs can be assembled in various ways using two main elements and the Y-shaped joint, thus offering extensive compositional versatility. Made in Italy.

Finishes & Materials

Top: Marble, fenix or black painted glass.

Undertop: MDF.

Base: Metal.

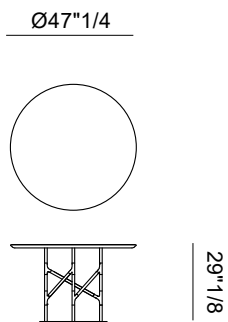
Dimensions

Size A - Round: $\text{Ø}47\frac{1}{4}\text{W} \times 29\frac{1}{8}\text{H}$

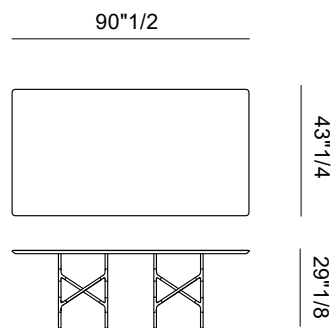
Size B - Rectangular: $90\frac{1}{2}\text{W} \times 43\frac{1}{4}\text{D} \times 29\frac{1}{8}\text{H}$

Size C - Oval: $90\frac{1}{2}\text{W} \times 43\frac{1}{4}\text{D} \times 29\frac{1}{8}\text{H}$

A – ROUND



B – RECTANGULAR



C – OVAL

