

Ellington

Design: Ludovica + Roberto Palomba



Description

The elegant Ellington sofa is one of the five families of the sectional sofa collection designed by Ludovica+Roberto Palomba. The aluminium frame, light and ecological, on which all the padded elements are inserted, is the distinctive feature and the common denominator of the collection, expression of the high tailoring craftsmanship of Made in Italy. The various types of seat and padding at different heights of bearing capacity are designed to ensure maximum comfort. Ellington, with its well-proportioned volumes, represents the most classic and reassuring type of sofa.

Finishes & Materials

Cover: Fabric or leather.

Base: Metal.

Ellington

Dimensions

Size A: 78"3/4W x 39"3/8D x 31"7/8H

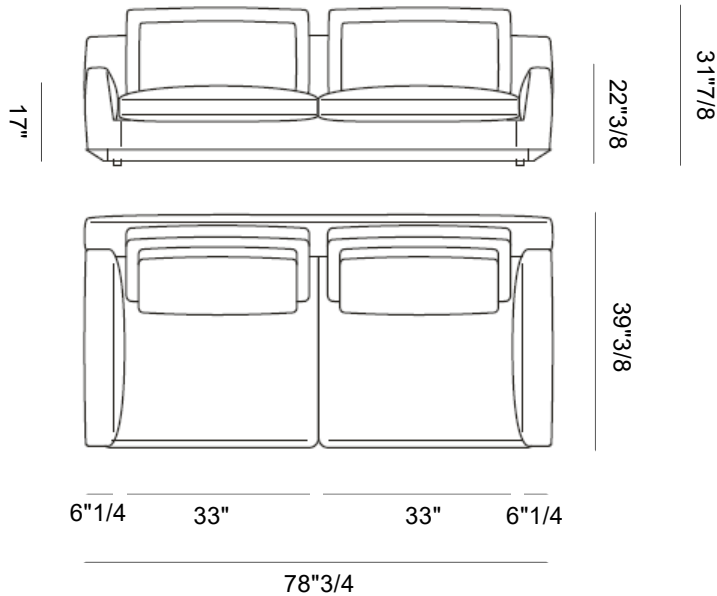
Size B: 94"1/2W x 39"3/8D x 31"7/8H

Size C: 111"7/8W x 39"3/8D x 31"7/8H

SH: 17"H

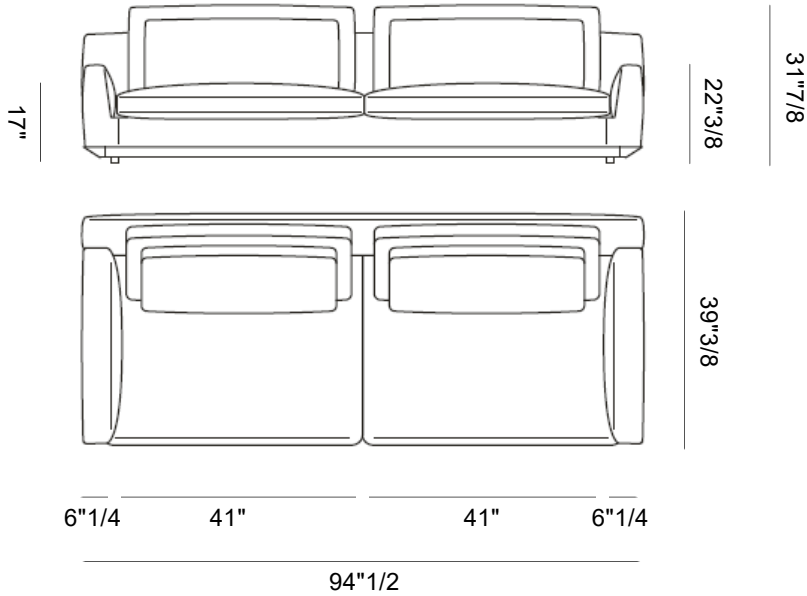
AH: 22"3/8H

Size A



Ellington

Size B



Size C

