

Blossom

Design: Andrea Bonini



Description

Sofa with solid wood and plywood structure, padded with polyurethane foam in different densities. Seat cushions in polyurethane foam in different densities. Pre-upholstery: polyester wadding. Non-removable upholstery in leather for the external structure and seat structure, and in fabric or leather for the internal structure. Seat cushions with removable upholstery in fabric or leather (matching the internal structure). Decorative cushions available on demand. Decorative details in metal, chrome finish. Made in Italy.



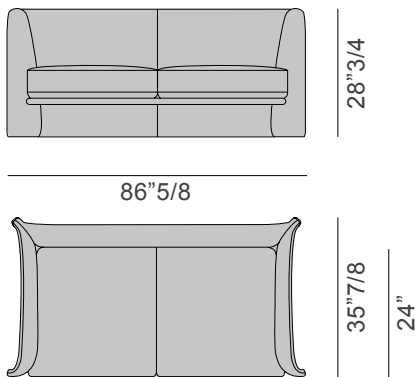
Blossom

Dimensions

A: 86"5/8W x 35"7/8D x 28"3/4H

B: 98"3/8W x 35"7/8D x 28"3/4H

A Two seater



B Three seater

