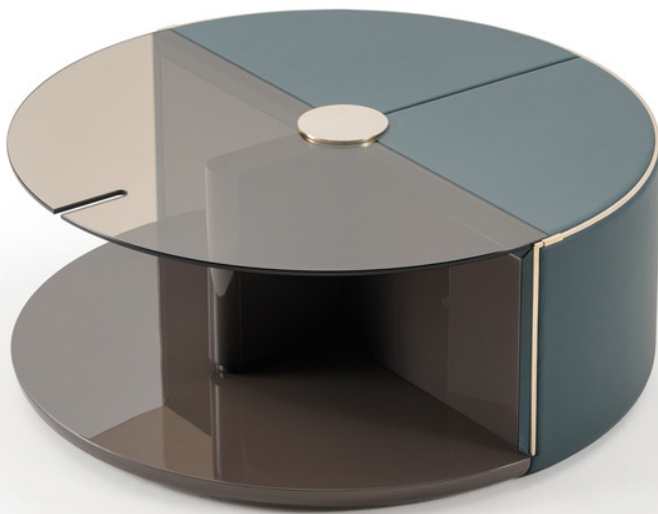


Eclipse

Design: Andrea Bonini



Description

Coffee table with MDF and plywood structure, glossy hand-decorated polyester finish and leather application. Round or square top with a portion in bronzed glass and a portion with leather application. Metal details in light gold finish. Made in Italy.



Eclipse

Dimensions

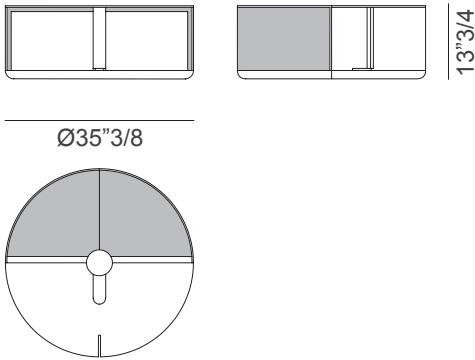
A: $\text{Ø}35\frac{3}{8} \times 13\frac{3}{4}\text{H}$

B: $\text{Ø}47\frac{1}{4} \times 13\frac{3}{4}\text{H}$

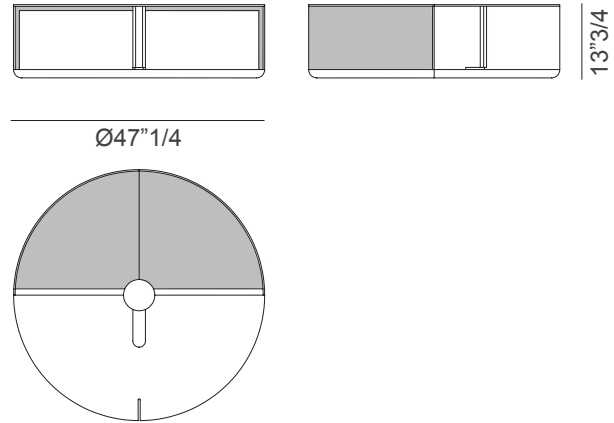
C: $31\frac{1}{2}\text{W} \times 31\frac{1}{2}\text{D} \times 13\frac{3}{4}\text{H}$

D: $47\frac{1}{4}\text{W} \times 47\frac{1}{4}\text{D} \times 13\frac{3}{4}\text{H}$

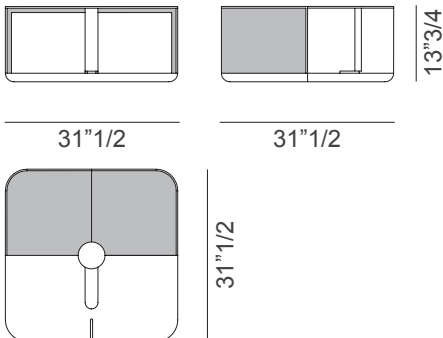
A



B



C



D

