

Eclipse

Design: Andrea Bonini



Description

TV Stand with structure in MDF, plywood and wood particle panels, glossy hand-decorated polyester finish, with leather application. Equipped with two doors with ribbed wood decoration and two drawers with leather application and internal covering in microfiber. Size A is also equipped with two open compartments with holes for cables and can be complemented with a matching TV panel, equipped with a shelf. Decorative details and handles in metal, light gold finish. Made in Italy.

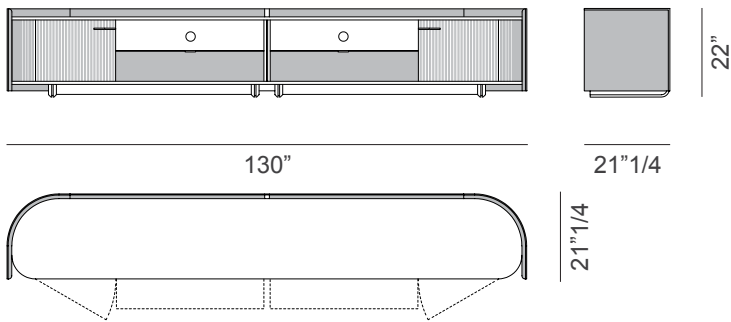


Eclipse

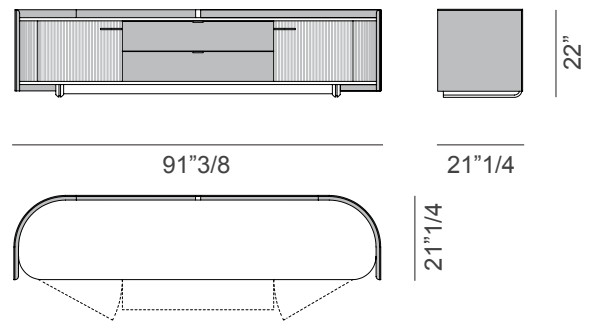
Dimensions

A: 130"W x 21"1/4D x 22"H
B: 91"3/8W x 21"1/4D x 22"H

A



B



TV panel (to match with TV stand size A)
 96"7/8W x 13"3/4D x 56"1/4H

