

## Zenit

*Design: Andrea Bonini*

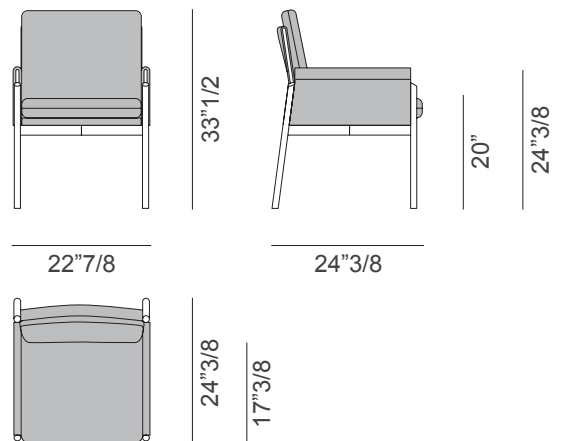


### *Description*

Armchair with structure in high quality plywood, padded with polyurethane foam. Seat and backrest cushions in polyurethane foam in different densities. Pre-upholstery: polyester wadding. Non-removable leather upholstery for the structure. Non-removable upholstery available in fabric or leather for the cushions. Legs in metal, glossy monochrome lacquered polyester finish. Metal details in chrome finish. Made in Italy.

### *Dimensions*

22"7/8W x 24"3/8D x 33"1/2H



## Zenit

---

