

Zenit

Design: Andrea Bonini

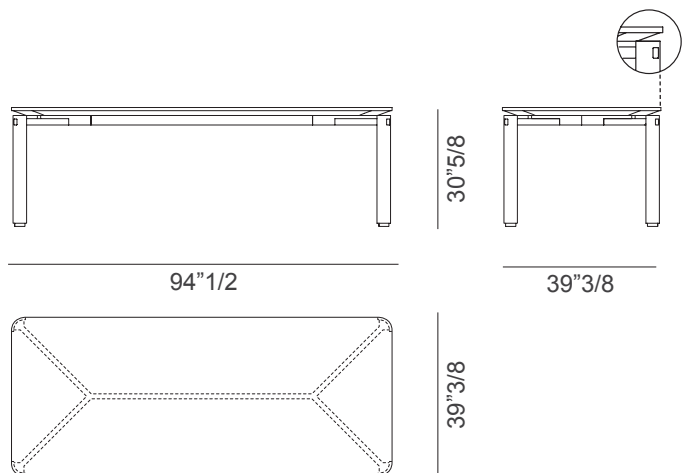


Description

Dining table with metal structure and legs, glossy monochrome lacquered polyester finish. Legs with shells in MDF, glossy monochrome lacquered polyester finish. Rectangular top available in MDF, glossy monochrome lacquered polyester finish or in marble. Made in Italy.

Dimensions

94"1/2W x 39"3/8D x 30"5/8H



Zenit

With glossy lacquered wooden top

With marble top

