

Zenit

Design: Andrea Bonini

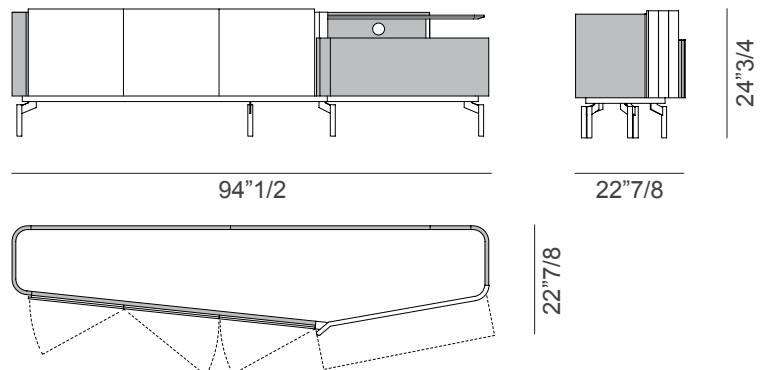


Description

TV stand with structure in MDF and plywood, glossy monochrome lacquered polyester finish, with leather applications. One drawer covered in leather with internal covering in microfiber. Three wooden doors and lower top in glossy lacquered polyester monochrome finish. Three internal compartments and an open compartment with hole for cables. Raised top available the same finish as the structure, doors and lower top or in marble. Legs and details in metal, chrome finish. Made in Italy.

Dimensions

94"1/2W x 22"7/8D x 24"3/4H



Zenit

