

## Clara



### Description

Clara stool, which can be matched to the chair of the same collection, combines classical style and modern design, with the possibility of choosing among two different kind of bases: from swivel to fixed metal base. The variety of coverings and the possibility to add a quilted design to the backrest completes a project of absolute quality. Made in Italy

### Dimensions

A) 17"3/4W x 20"1/2D x 38"5/8H - **Seat height: 26"3/8**

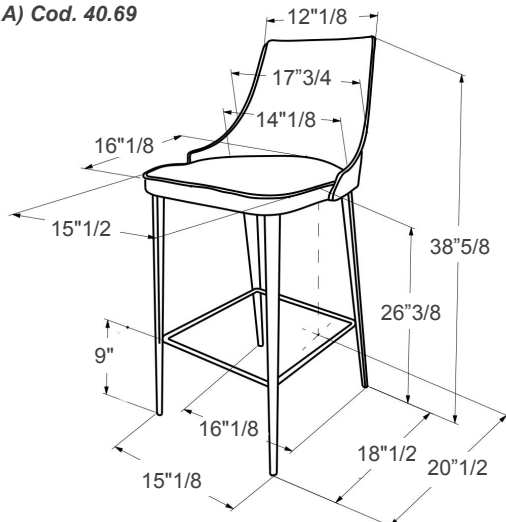
B) 17"3/4W x 20"1/2D x 42"1/2H - **Seat height: 30"3/8**

### Finishes & Materials

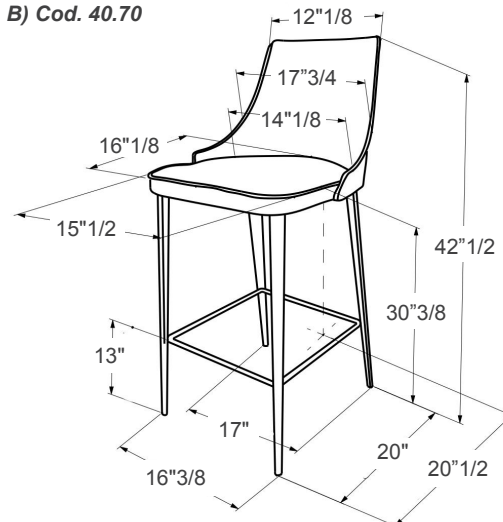
**Cover:** Eco-Leather, Fabric, Velvet and Leather.

**Frame:** Lacquered Metal.

A) Cod. 40.69



B) Cod. 40.70



Quilted back

