

Clara



Description

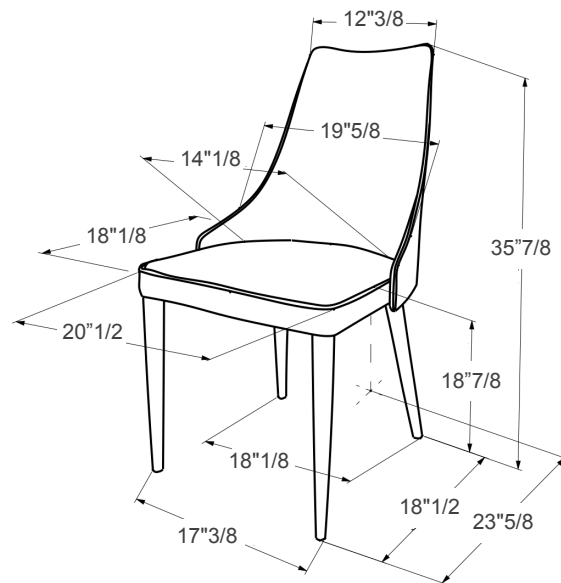
The Clara chair seamlessly combines classic style with modern design, creating a sophisticated piece that evokes a pleasant nostalgia for the past. Clara offers options for a plain or quilted back, with the quilted design adding an extra layer of elegance and refinement. Available in a wide range of coverings and versions, Clara embodies timeless comfort, while the piping—available in matching or contrasting colors—adds a final touch of style and distinction to the seat. Made in Italy.

Dimensions

20"1/2W x 23"5/8D x 35"7/8H

Seat height: 18"7/8

Cod. 40.11



Finishes & Materials

Backrest, Seat, Legs & Piping: Eco-Leather, Fabric, Velvet and Leather.



Quilted back