

Nata



Description

The Nata chair offers a range of customizable features to suit any taste: available with a high or low backrest, with or without quilted design and a choice between flexible, ergonomic back (only available for high backrests) or fixed back. The piping, available in matching or contrasting colors, adds a subtle touch of elegance. For those who appreciate comfort blended with clean, simple lines, the Nata chair is the perfect choice. Made in Italy.

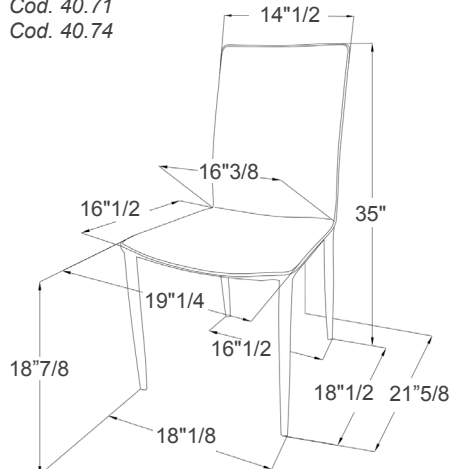
Dimensions

High backrest: 19"1/4W x 21"5/8D x 35"H
Low backrest: 19"1/4W x 22"3/8D x 32"5/8H
Seat height: 18"7/8

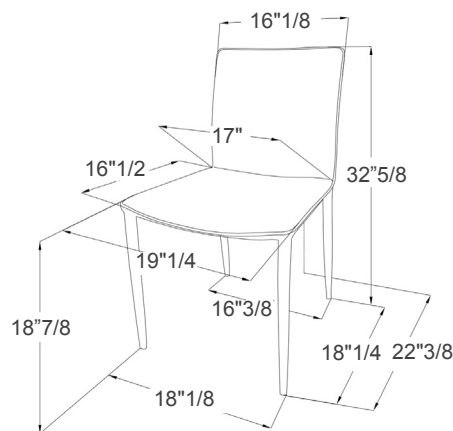
Finishes & Materials

Cover & Legs: Eco-Leather, Fabric and Leather.

High backrest
 Cod. 40.71
 Cod. 40.74



Low backrest
 Cod. 40.14



Quilted back



Flexible ergonomic back

