

Nata



Description

The Nata chair offers a range of customizable features to suit any taste: available with a high or low backrest, with or without quilted design and a choice between flexible, ergonomic back (only available for high backrests) or fixed back.

The piping, available in matching or contrasting colors, adds a subtle touch of elegance.

For those who appreciate comfort blended with clean, simple lines, the Nata chair is the perfect choice. Made in Italy.

Dimensions

High backrest: 18"7/8W x 21"5/8D x 35"H

Low backrest: 18"7/8W x 22"3/8D x 32"5/8H

Seat height: 18"7/8

Finishes & Materials

Cover: Eco-Leather, Fabric and Leather.

Legs: Lacquered Metal.



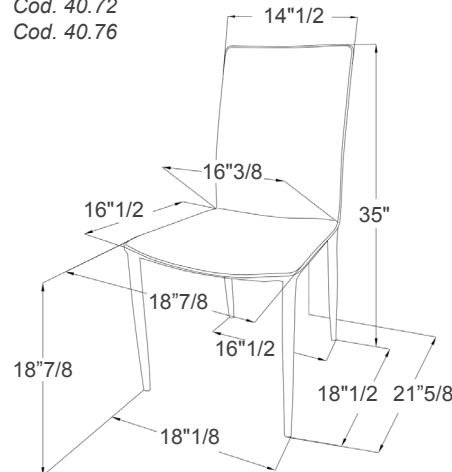
Quilted back



Flexible ergonomic back



High backrest
Cod. 40.72
Cod. 40.76



Low backrest
Cod. 40.75

