

Adele

Design: Federico Peri



Description

This armchair embodies elegance and meticulous craftsmanship, combining stylish forms with a refined and orderly design. Its slim metal trim, delicately mirroring the leather seams, enhances the overall aesthetic. The design creates a soft, cocoon-like embrace, delivering comfort and an irresistible visual appeal.

Made in Italy.

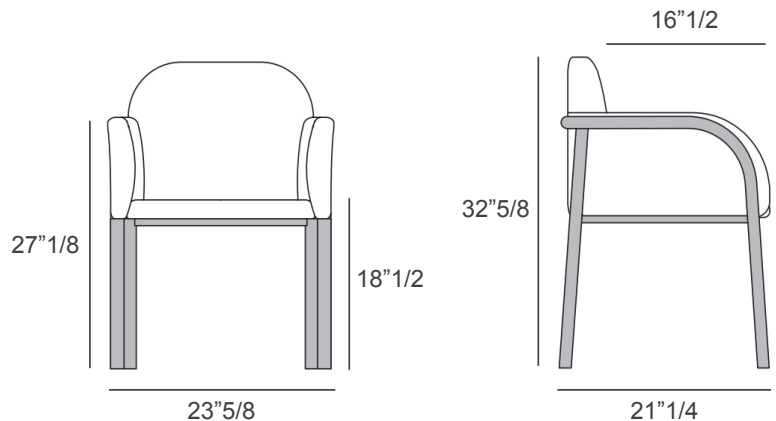
Dimensions

23⁵/₈W x 21¹/₄D x 32⁵/₈H

Seat height: 18¹/₂

Armrests height: 27¹/₈

Seat depth: 16¹/₂



Finishes & Materials

Structure: Wood with a Plexiglas insert and elastic belts support.

Padding: Polyurethane foam with an acrylic layer.

Upholstery: Fabric or Leather.

Frame: Metal, painted in Matt RAL colors.