

## Belt

Design: Marco Fumagalli

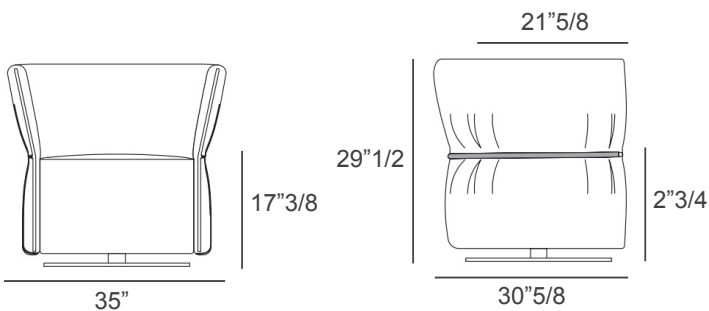


### Description

The Belt swivel lounge chair is provided with a 360° memory-return swivel mechanism, and captivates with its distinctive decorative Leather belt, seamlessly blending form and function. It provides versatile customization options, that allow the seat to feature a distinct finish from the shell and the armrests decorative insert. Made in Italy.

### Dimensions

35"W x 30"5/8D x 29"1/2H - **Seat height:** 17"3/8 - **Seat depth:** 21"5/8



Armrests Insert



### Finishes & Materials

- Frame:** Metal covered with two acrylic layers.
- Seat:** Elastic belts support with an acrylic fiber layer.
- Padding:** Polyurethane foam.
- Shell, Seat & Armrests Insert:** Fabric and Leather.
- Decorative Belt:** Leather.
- Armrests Profile:** Metal.