

Giorgio

Design: Maurizio Manzoni



Description

Giorgio is a masterful blend of stability and elegance. Its design evokes the gentle embrace of a protective shell, offering both support and comfort. The raw-cut leather upholstery adds a touch of artisanal sophistication, seamlessly merging with the sleek, sinuous lines of its tubular metal structure. This striking combination of soft materials and sharp geometry creates a harmonious balance, making Giorgio not only a functional piece but also a bold statement in any interior.

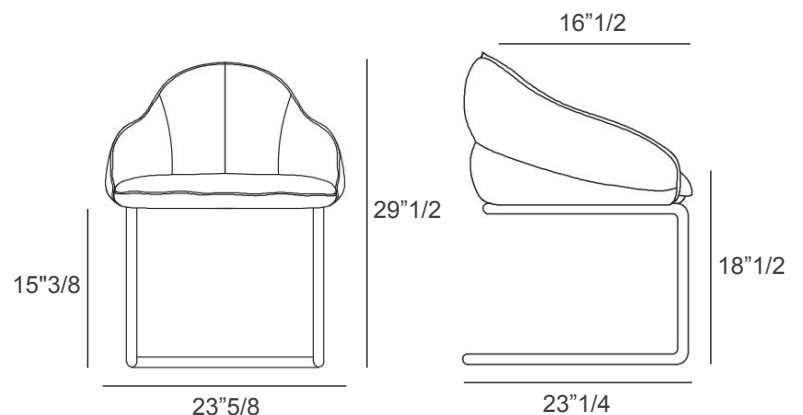
Made in Italy.

Dimensions

23"5/8W x 23"1/4D x 29"1/2H

Seat height: 18"1/2

Seat depth: 16"1/2



Finishes & Materials

Seat Structure: Wood, supported with elastic belts.

Backrest Structure: Metal.

Padding: Polyurethane foam covered with acrylic fiber.

Upholstery: Fabric or Leather.

Tubular Frame: Metal, painted in Matt RAL colors.