

Marlon

Design: Maurizio Manzoni



Description

The wooden legs emphasize Marlon's sleek and elegant structure, creating a striking visual balance. The design intentionally separates the base from the seat, adding a sense of lightness and sophistication. The padded backrest, featuring a double-shell construction, offers the opportunity to experiment with different material combinations, enhancing its refined aesthetic and elevating its versatility in design.

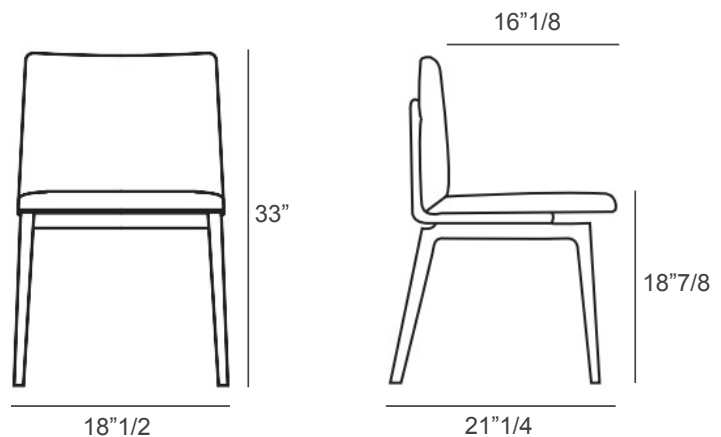
Made in Italy.

Dimensions

18"1/2W x 21"1/4D x 33"H

Seat height: 18"7/8

Seat depth: 16"1/8



Finishes & Materials

Structure: Post-formed plywood.

Padding: Polyurethane foam with two different densities.

Upholstery: Fabric or Leather.

Legs: Heat-treated ash wood with durmast painted finishing.