

Raphia

Design: LucidiPevere



Description

The luxury Raphia armchair is the offspring of a research project into the use of materials and how they can be exploited as furnishings. Raphia comes in painted aluminum welded entirely by hand and it embodies this history and tradition in a contemporary context. Made in Italy.



Finishes & Materials

Structure: Painted metal.

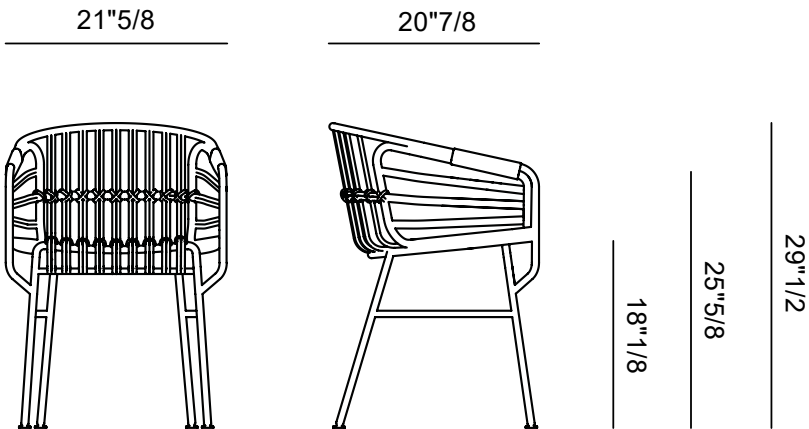
Raphia

Dimensions

21"5/8W x 20"7/8D x 29"1/2H

AH: 25"5/8

SH: 18"1/8



Protected outdoor

Protected product suitable for protected outdoor areas (e.g. covered verandas). Not suitable for environments with rain, fog, dew or persistent humidity. Shelter in a closed area is necessary overnight. Products made from natural materials are however subject to deterioration.



Rain

Product suitable for outdoor environments with normal atmospheric precipitation. In case of persistent rain, shelter in a protected area is necessary. Products made from natural materials are however subject to deterioration.



Seaside

Product suitable for sea areas or with salt spray. Wash frequently.